

MIAMI BEACH

OFFICE OF CAPITAL IMPROVEMENT PROJECTS MIAMI BEACH BANDSHELL REAR CANOPY



JULY 10, 2023
HPB FINAL SUBMITTAL

CITY OF MIAMI BEACH

MAYOR: DAN GELBER

COMMISSIONERS: KRISTEN ROSEN GONZALEZ
LAURA DOMINGUEZ
ALEX J. FERNANDEZ
STEVEN MEINER
RICKY ARRIOLA
DAVID RICHARDSON

CITY MANAGER: ALINA T. HUDAK

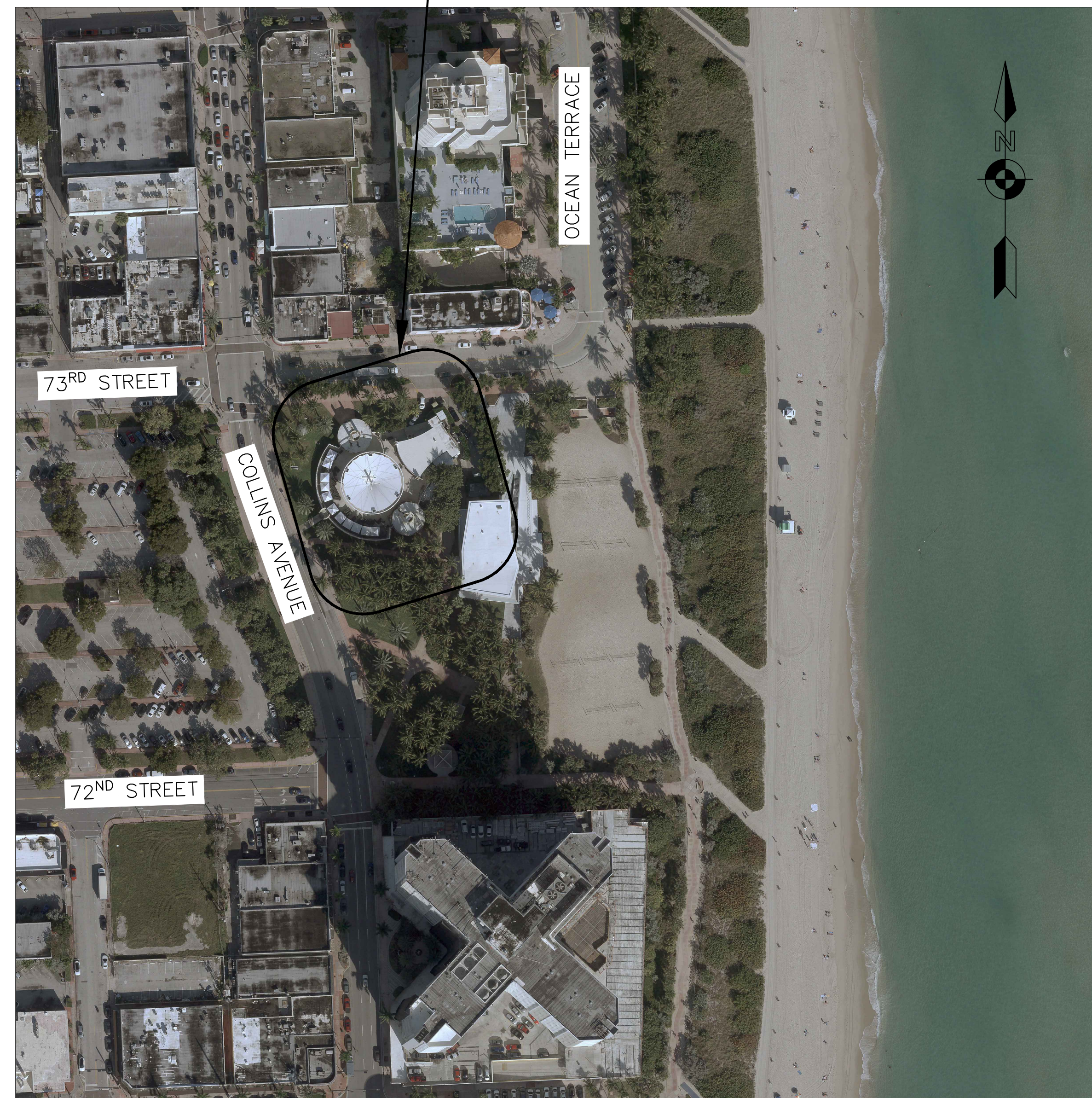
CITY ATTORNEY: RAFAEL A. PAZ

CITY CLERK: RAFAEL E. GRANADO

DEPUTY CITY MANAGER: ERIC CARPENTER

CIP DIRECTOR: DAVID MARTINEZ P.E.

PROJECT LOCATION



LOCATION MAP

INDEX OF DRAWINGS

G-1	COVER SHEET & INDEX OF DRAWINGS
G-2	PROJECT INFORMATION
G-3	PHOTOS
A-1	SITE PLAN
X-001	COLOR RENDERINGS
X-100	FLOOR PLAN
X-101	ROOF PLAN
X-200	FRAME DETAILS
X-300	SECTION
X-500	3-D VIEWS
S-1	STRUCTURAL NOTES & DETAILS

PREPARED BY:

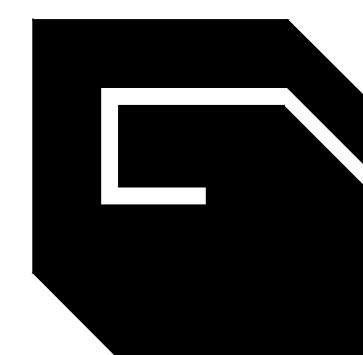
 **R.J. Behar & Company, Inc.**
Engineers • Planners
6861 S.W. 196th Avenue, Suite 302
Pembroke Pines, Florida • 33332
(954) 680-7771 • Fax: (954) 680-7781

SUB-CONSULTANTS

Giller & Giller, Inc.

The Giller Building
975 Arthur Godfrey Road
Miami Beach, Florida 33140
(305) 538-6324 FAX (305) 538-5921
Giller97@aol.com
Reg. #AA C001364

ARCHITECTS INTERIOR DESIGNERS CONSTRUCTION MANAGERS



The logo for 'pvilion', with 'p' in orange and 'vilion' in black, and a red sun-like circle above the 'i'.

MIAMI BEACH

Planning Department
1700 Convention Center Drive, 2nd Floor
Miami Beach, Florida 33139, www.miamibeachfl.gov
305.673.7550

COMMERCIAL - ZONING DATA SHEET

ALL INFORMATION REQUIRED BELOW MUST BE SUBMITTED AS REQUESTED. THE FORMAT OF THIS DOCUMENT MAY NOT BE MODIFIED OR ALTERED IN ANY WAY. SUBMITTALS FOUND INSUFFICIENT OR INCOMPLETE MAY RESULT IN A FAILED REVIEW

ITEM #	Project Information				
1	Address: 7275 COLLINS AVE	Folio number(s):	02-3202-000-0020	Year built:	1961
2	Board file number(s), Determination of Architectural Significance:			Lot Area:	179,500 SF
3	Located within a Local Historic District (Yes or No):	Zoning District:	GU	Lot width:	500'
4	Individual Historic Site (Yes or No):	Yes		Lot Depth:	VARIES
5	Base Flood Elevation:	+8.0 NGVD	Grade value in NGVD:		+8.38
6	Adjusted grade (BFE+Grade / 2):	+7.19	Free board:		-0.81
7	Proposed Use:	REAR CANOPY OVER EXISTING BANDSHELL SEATING			
8	Proposed Accessory Use:				
9	Signed and sealed Landscape Plans (Tree/Vegetation Survey, Tree Disposition Plan, and Irrigation Plan):	N/A NO CHANGE TO SITE PLAN			
ZONING INFORMATION / CALCULATION		Required	Existing	Proposed	Deficiencies
13	Floor Area Ratio (FAR)	1.5	0.26	NO CHANGE	0
14	Building Height	50' MAX	35'-4"	13'-8 3/4"	0
15	At grade parking lot on the same lot	N/A	N/A	N/A	
a	Front setbacks				
b	Side interior setback				
c	Side facing street setback				
d	Rear setback				
16	Subterranean, Pedestal & Tower (non-Oceanfront)	Required	Existing	Proposed	Deficiencies
a	Front setbacks	15'	21'-7"	21'-7"	0
b	Side interior setback	Exist. Historic	Exist. Historic	Exist. Historic	0
c	Side facing street setback	10'	47'-9"	72'	0
d	Rear setback	75'	361'	361'	0
17	Subterranean, Pedestal & Tower (non-Oceanfront)	Required	Existing	Proposed	Deficiencies
a	Front setbacks	N/A			
b	Side interior setback	N/A			
c	Side facing street setback	N/A			
d	Rear setback	N/A			
18	Minimum Apartment Unit Size	Required	Existing	Proposed	Deficiencies
a	New Construction	N/A			
b	Rehabilitated Buildings	N/A			
c	Hotel Unit	N/A			
19	Average Apartment Unit Size	Required	Existing	Proposed	Deficiencies
a	New Construction	N/A			
b	Rehabilitated Buildings	N/A			
c	Hotel Unit	N/A			
20	Required Open-space ratio (RPS, CPS)	N/A			
21	Parking	0	2	0	
22	Loading	0	2	0	

Notes: Indicate N/A if not applicable.

SCOPE OF WORK:

THE PROJECT CONSISTS OF LEVEL 2 ALTERATIONS TO AN EXISTING HISTORIC BANDSHELL. THE SCOPE OF WORK IS AS FOLLOWS:

EXTERIOR:

ADD 2,500 S.F. REAR CANOPY OVER THE EXISTING ELEVATED SEATING PLATFORM

INTERIOR: NO WORK

SCOPE OF WORK BY DISCIPLINE:

- BUILDING** – LEVEL 2 ALTERATIONS TO EXISTING HISTORIC BANDSHELL. NO CHANGE OF USE. ADD NEW CANOPY OVER EXISTING SEATING PLATFORM
- PLUMBING** – NO WORK
- MECHANICAL** – NO WORK
- ELECTRICAL** – NO WORK
- FIRE ALARM** – NONE
- FIRE BUILDING REVIEW** – NO CHANGES TO EXISTING OCCUPANT LOAD OR FIRE SEPARATIONS.
- FIRE SPRINKLER** – NONE
- PLANNING** – BUILDING IS LISTED ON THE NATIONAL REGISTER OF HISTORIC BUILDINGS. NO ZONING CHANGE OF USE. NO EXTERIOR ALTERATIONS EXCEPT NEW REAR CANOPY.
- LANDSCAPE** – NO ALTERATIONS TO EXISTING LANDSCAPING. NO NEW LANDSCAPE AREAS.
- FLOOD** – EXISTING OPEN BANDSHELL. NO ADDED FLOOR. EXTERIOR REAR CANOPY ONLY
- ENVIRONMENTAL** – NO INCREASE TO EXISTING SEWER CONTRIBUTIONS; NO AIR QUALITY CHANGES; NO STORM WATER CHANGES.
- ELEVATOR** – NONE
- PUBLIC WORKS** – NO EXTERIOR SITEWORK. NO SITE ACCESS CHANGES.
- TRANSPORTATION** – NO INCREASE TO EXISTING OCCUPANT LOAD. NO SITE ACCESS CHANGES.

FOLIO & LEGAL DESCRIPTION:

FOLIO NO.: 02-3202-000-0020

LEGAL DESCRIPTION: LOT 8 BEING A PORTION OF ORIG GOVT. LOT 6 & PORTION LYING EAST & ADJACENT WEST OF EROSION CONTROL LINE PER P.B. 105-62. LOT SIZE 500.000' X 359'.

FLOOD ZONE DATA:

ZONE X – BASE FLOOD ELEVATION = 500 YEAR FLOOD
ZONE AE – BASE FLOOD ELEVATION = +8.00 NGVD

OCCUPANCY TYPE:

ASSEMBLY, TYPE A-3 WITHOUT FIXED SEATING

CODE STATEMENT:

TO THE BEST OF THE ARCHITECT'S KNOWLEDGE, THE PLANS AND SPECIFICATIONS COMPLY WITH THE APPLICABLE MINIMUM BUILDING CODES AND APPLICABLE FIRE SAFETY STANDARDS AS DETERMINED BY THE LOCAL AUTHORITY IN ACCORDANCE WITH THIS SECTION AND 633 FLORIDA STATUTES.

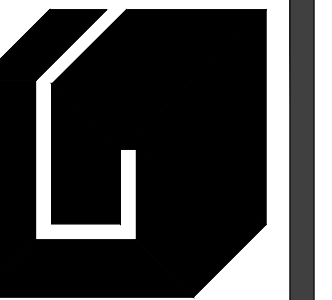
CODE REVIEW:

APPLICABLE CODES:

2020 FLORIDA BUILDING CODE EXISTING
2020 FLORIDA BUILDING CODE ACCESSIBILITY
FLORIDA FIRE PREVENTION CODE, 7TH ED.
N.F.P.A. 101 LIFE SAFETY CODE 2021
2020 FLORIDA BUILDING CODE ENERGY
2020 FLORIDA BUILDING CODE FUEL & GAS
2020 FLORIDA BUILDING CODE PLUMBING
2020 FLORIDA BUILDING CODE MECHANICAL
2020 FLORIDA BUILDING CODE ELECTRICAL

CONSTRUCTION TYPE:

AS PER FBC 3102.3, NON-COMBUSTIBLE FRAME OR CABLE-SUPPORTED STRUCTURES COVERED BY AN APPROVED MEMBRANE IN ACCORDANCE WITH SECTION 3102.3.1 SHALL BE CLASSIFIED AS TYPE IIB.



Giller & Giller, Inc.
The Giller Building
1000 Biscayne Blvd
Miami Beach, Florida 33140
(305) 538-0324 FAX (305) 538-5921
Reg. #A/C 0001264
ARCHITECTS INTERIOR DESIGNERS CONSTRUCTION MANAGERS

pvilion
Pvilion Technologies LLC
64 John St.
Brooklyn, NY 11201

R.J. Behar & Company, Inc.
ENGINEERS - PLANNERS
6861 S.W. 196 AVE. #302
PEMBROKE PINES, FL 33332

MIAMI BEACH BANDSHELL REAR CANOPY
CITY OF MIAMI BEACH
MIAMI BEACH, FLORIDA
7275 COLLINS AVENUE

SHEET TITLE:
PROJECT INFORMATION

SHEET #
G-2

ARCH. COMM #
23107

DATE:
7/16/23

DATE:
7/16/23

DATE:
7/16/23



SHEET #
G-3

SHEET TITLE:
PHOTOS

ARCH. COMM #
23107

DATE:
7-10-23

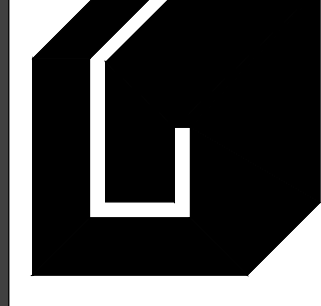
© COPYRIGHT © 2023 Giller & Giller, Inc.
ALL RIGHTS RESERVED

MIAMI BEACH BANDSHELL REAR CANOPY
CITY OF MIAMI BEACH
7275 COLLINS AVENUE
MIAMI BEACH, FLORIDA

R.J. Behar & Company, Inc.
ENGINEERS - PLANNERS
6861 S.W. 196 AVE. #302
PEMBROKE PINES, FL 33332

Pvillion
Pvillion Technologies LLC
64 John St.
Brooklyn, NY 11201

Giller & Giller, Inc.
The Giller Building
Road
Miami Beach, Florida 33140
(305) 536-0324 FAX (305) 536-5921
Reg. #A/C 0001264
ARCHITECTS INTERIOR DESIGNERS CONSTRUCTION MANAGERS



73rd STREET

PROPERTY LINE

COASTAL CONSTRUCTION LINE

ASPHALT

ASPHALT

WALKWAY

GRASS

EXIST WALL

EXIST SIGN

EXIST ENTRY TOWER

EXISTING BANDSHELL BUILDING

EXISTING STAGE

EXISTING TOILETS

CANOPY - 70' DIA

ELEV = +6.56 NGVD

EXIST ENTRY TOWER

EXIST ENTRY TOWER

EXIST WALK

GRASS

EXIST FLOODLIGHT AT GRADE (TYPICAL)

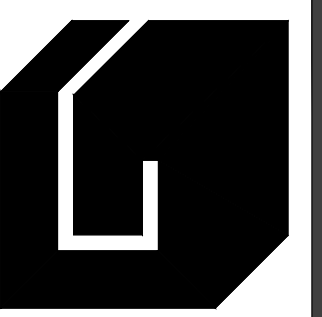
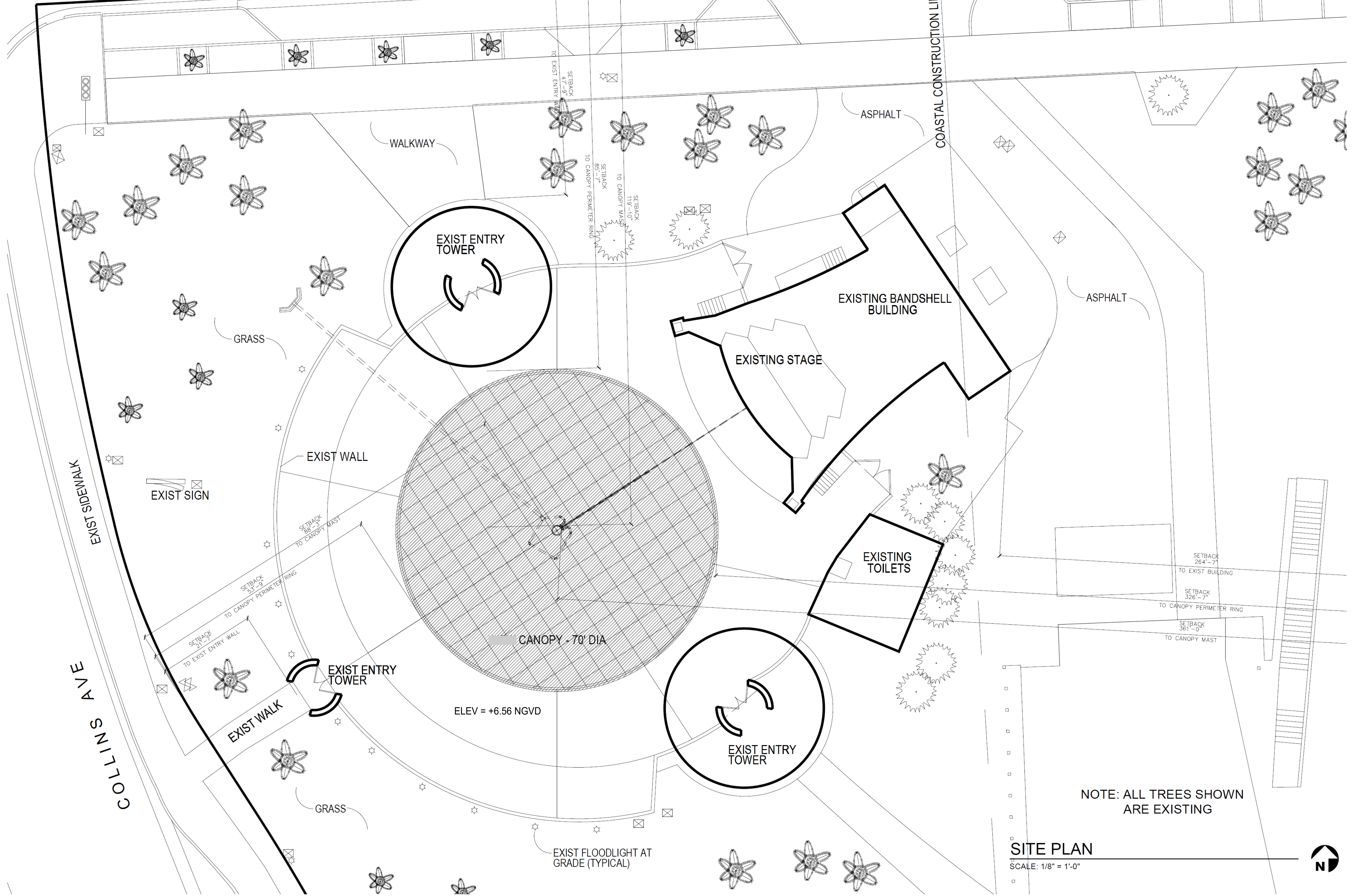
NOTE: ALL TREES SHOWN ARE EXISTING

SITE PLAN
SCALE: 1/8" = 1'-0"



EXIST SIDEWALK

COLLINS AVE



Giller & Giller, Inc.
The Giller Building
Road
Miami Beach, Florida 33140
(305) 536-0204 FAX (305) 536-5921
Reg. #A/C001264
ARCHITECTS INTERIOR DESIGNERS CONSTRUCTION MANAGERS

pvilion
Pvilion Technologies LLC
64 John St.
Brooklyn, NY 11201

R.J. Behar & Company, Inc.
ENGINEERS - PLANNERS
6861 S.W. 196 AVE. #302
PEMBROKE PINES, FL 33332

MIAMI BEACH BANDSHELL REAR CANOPY
CITY OF MIAMI BEACH
MIAMI BEACH, FLORIDA
7275 COLLINS AVENUE

SHEET TITLE:
SITE PLAN
SHEET #
A-1
ARCH. COMM. #
23107
DATE:
7-10-23
COPYRIGHT © 2023 Giller & Giller, Inc.
ALL RIGHTS RESERVED



MIAMI BEACH BANDSHELL - 3D RENDERINGS
NO SCALE

The Giller Building
 1000 Biscayne Blvd
 Miami, FL 33132
 Tel: 305.538.6324
 Fax: 305.538.6324

SHEET #
 X-001
 ARCH. COMM #
 Z31.07

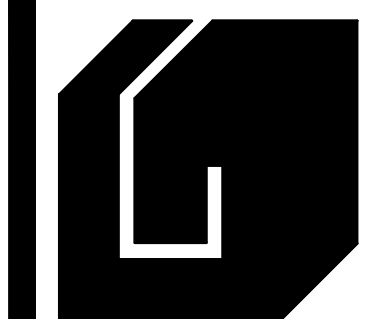
SHEET TITLE:
 3D RENDERINGS
 DATE: © 2022 Giller & Giller, Inc.
 7/10/2023 ALL RIGHTS RESERVED

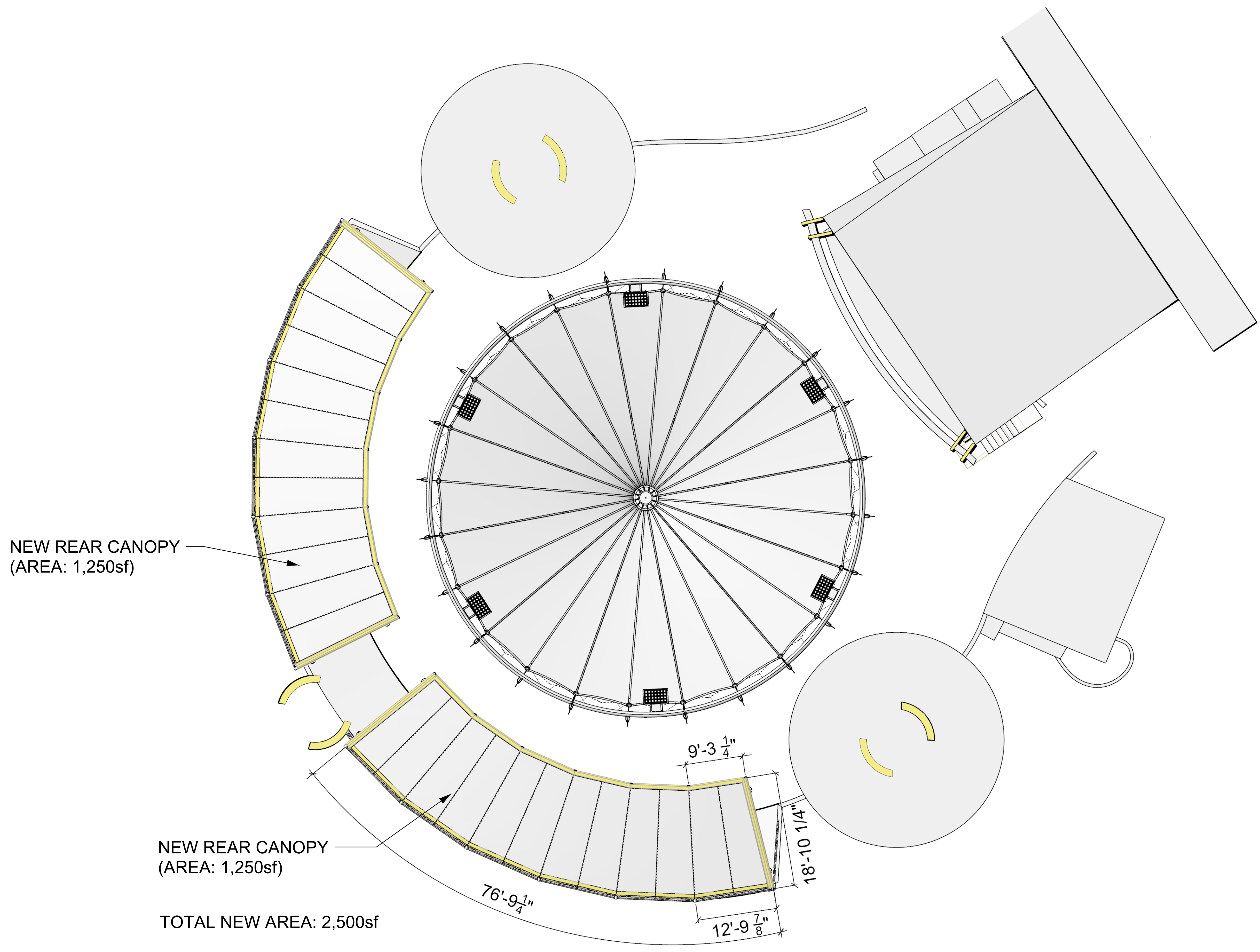
MIAMI BEACH BANDSHELL REAR CANOPY
 CITY OF MIAMI BEACH
 7275 COLLINS AVENUE
 MIAMI BEACH, FLORIDA

R.J. Behar & Company, Inc.
 ENGINEERS + PLANNERS
 6861 S.W. 196 AVE #302
 PEMBROKE PINES, FL 33332

Pvillion
 Pvillion Technologies LLC
 64 John St.
 Brooklyn, NY 11201

Giller & Giller, Inc.
 The Giller Building, Suite 1000
 1000 Biscayne Blvd
 Miami, Florida 33132
 (305) 538-6324 FAX (305) 538-6324
 Web: www.gillerandgiller.com
 PIA #AA 000394
 ARCHITECTS INTERIOR DESIGNERS CONSTRUCTION MANAGERS



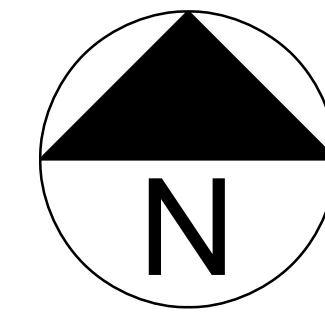


NEW REAR CANOPY
(AREA: 1,250sf)

NEW REAR CANOPY
(AREA: 1,250sf)

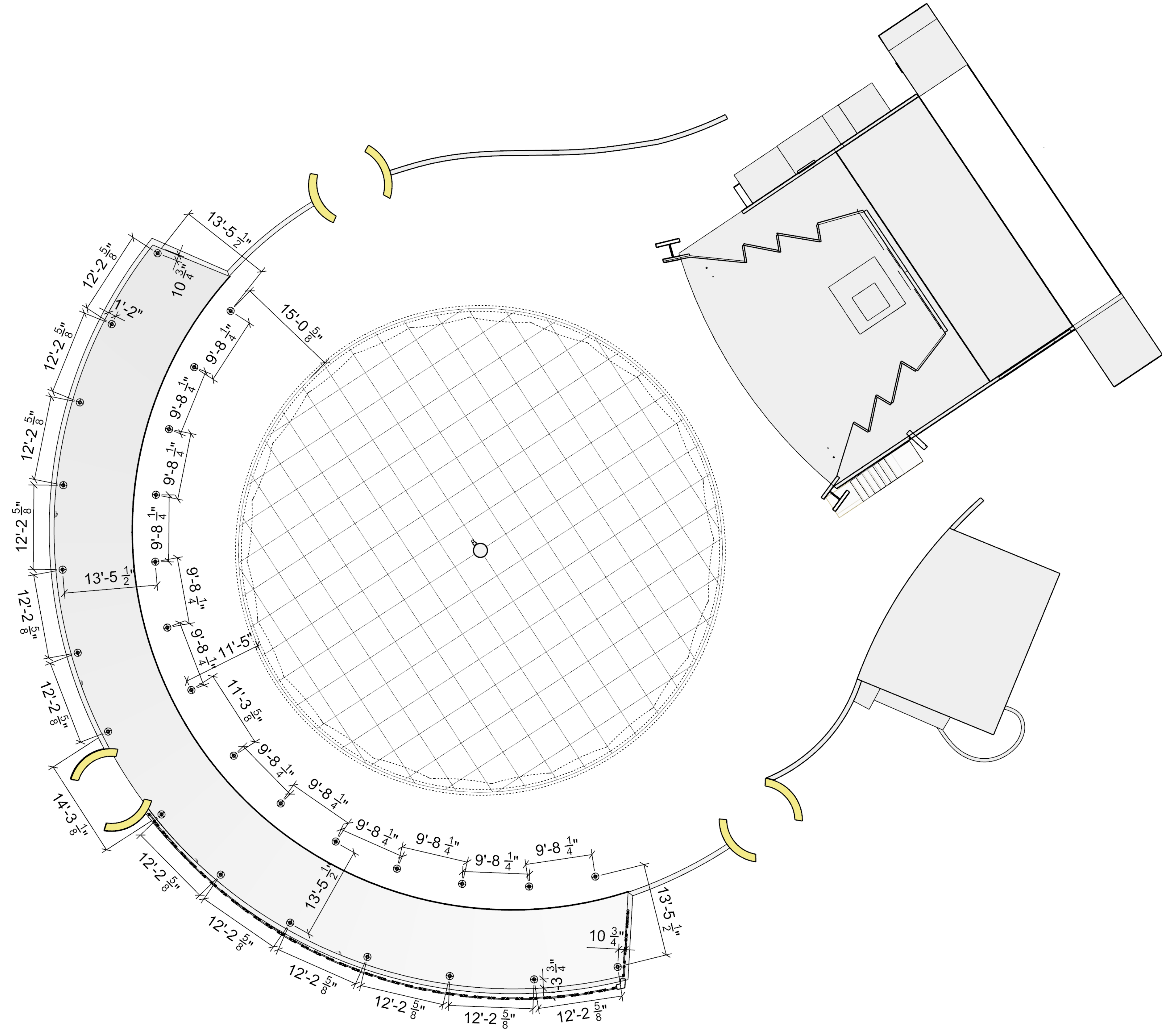
TOTAL NEW AREA: 2,500sf

MIAMI BEACH BANDSHELL - ROOF PLAN
SCALE: 1/8" = 1'-0"

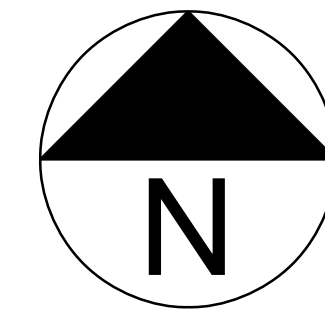


The Office Building
1000 Biscayne Blvd
Miami, Florida 33132
Tel: (305) 538-6324
Fax: (305) 538-6324
www.gillerandgiller.com

The Office Building
1000 Biscayne Blvd
Miami, Florida 33132
Tel: (305) 538-6324
Fax: (305) 538-6324
www.gillerandgiller.com

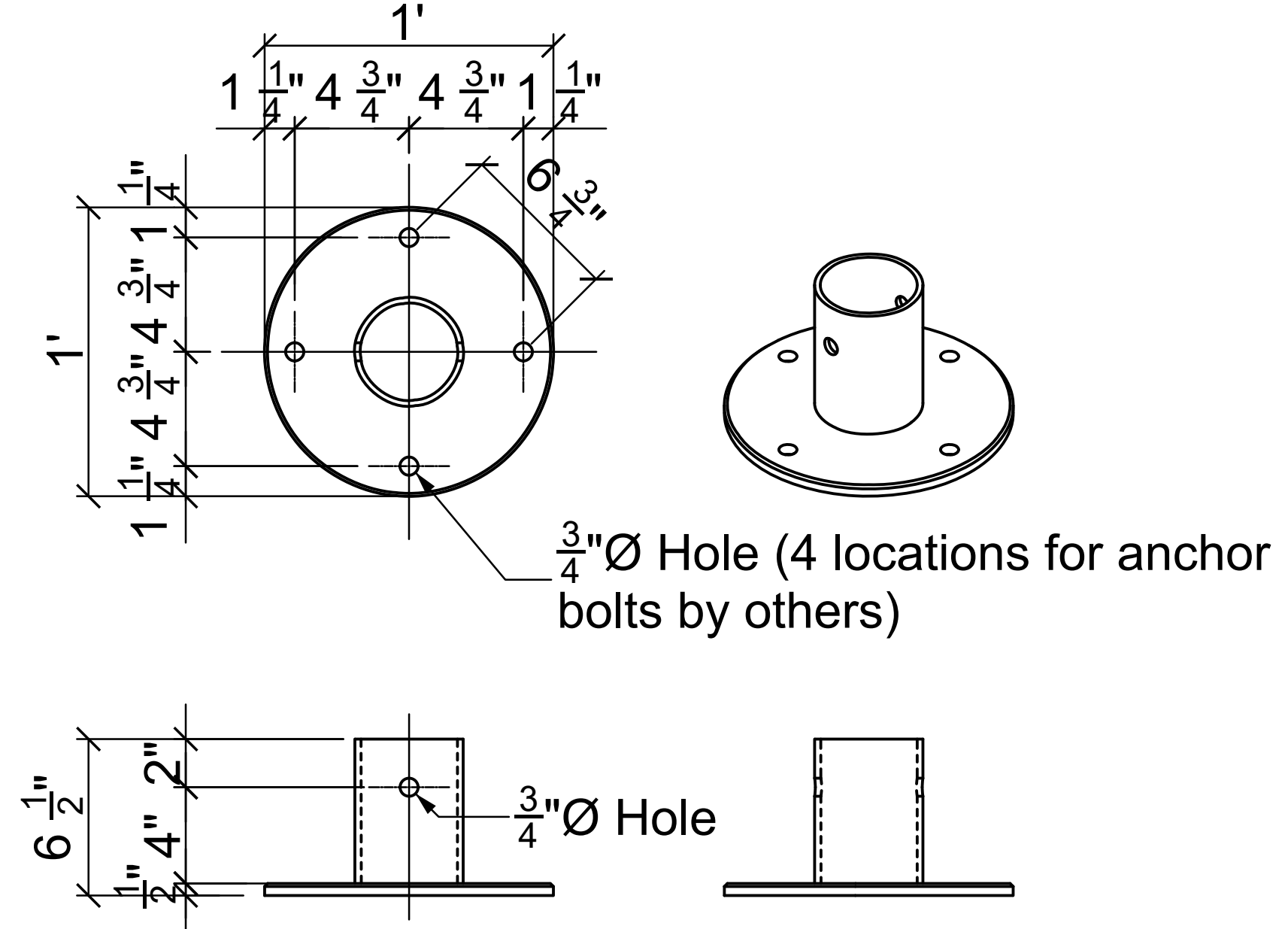
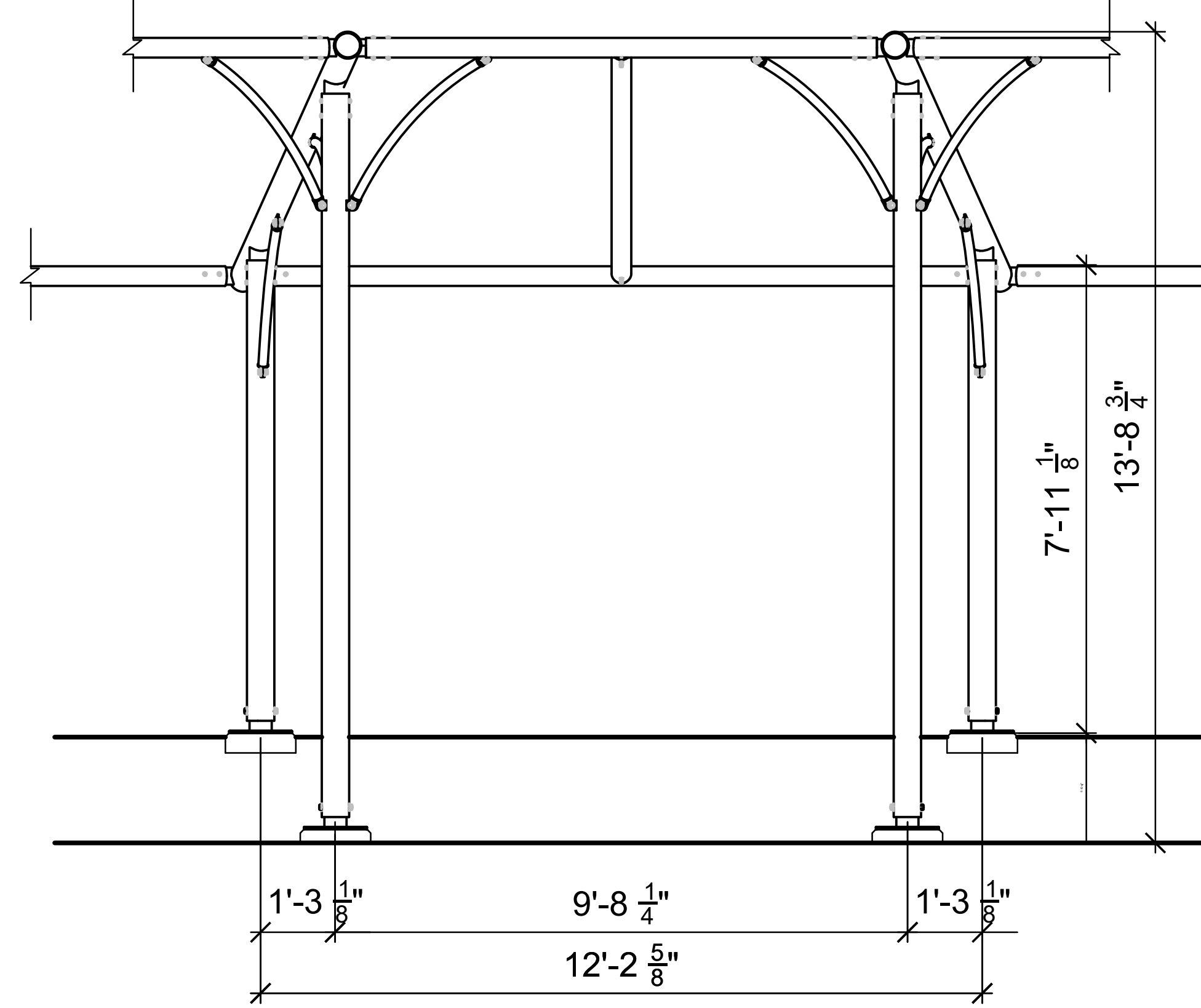
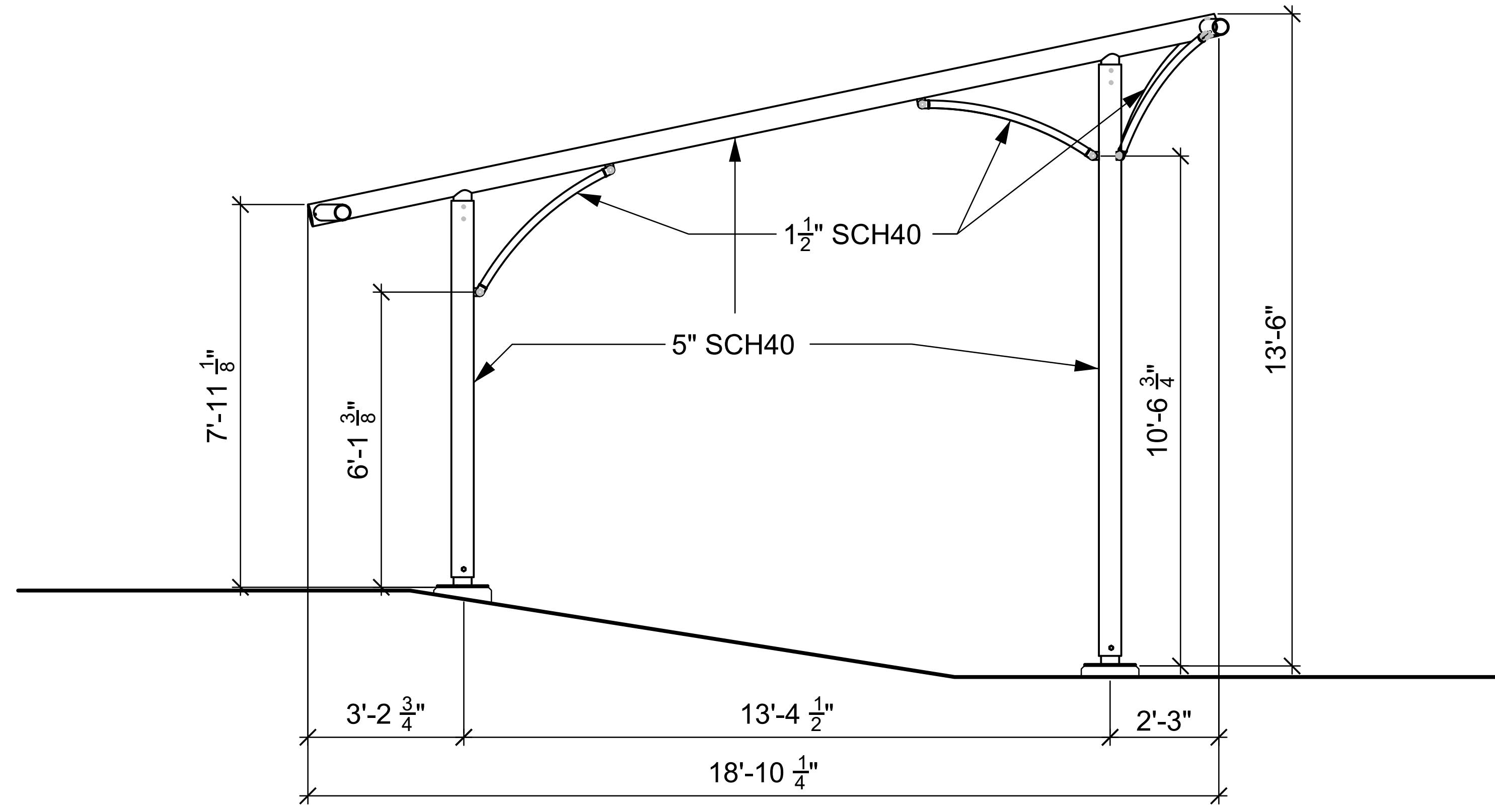
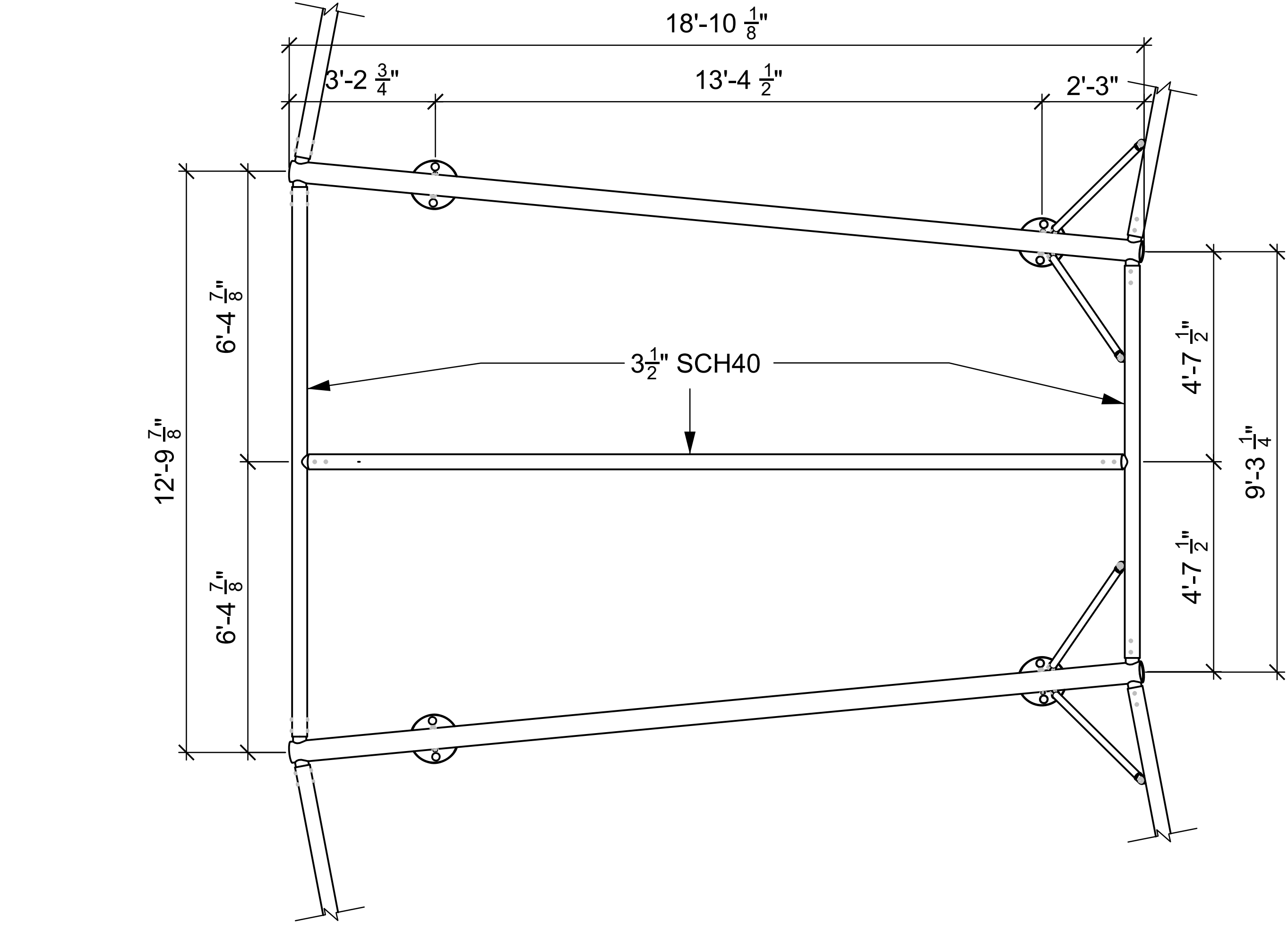


MIAMI BEACH BANDSHELL - FLOOR PLAN
 SCALE: 1/8" = 1'-0"

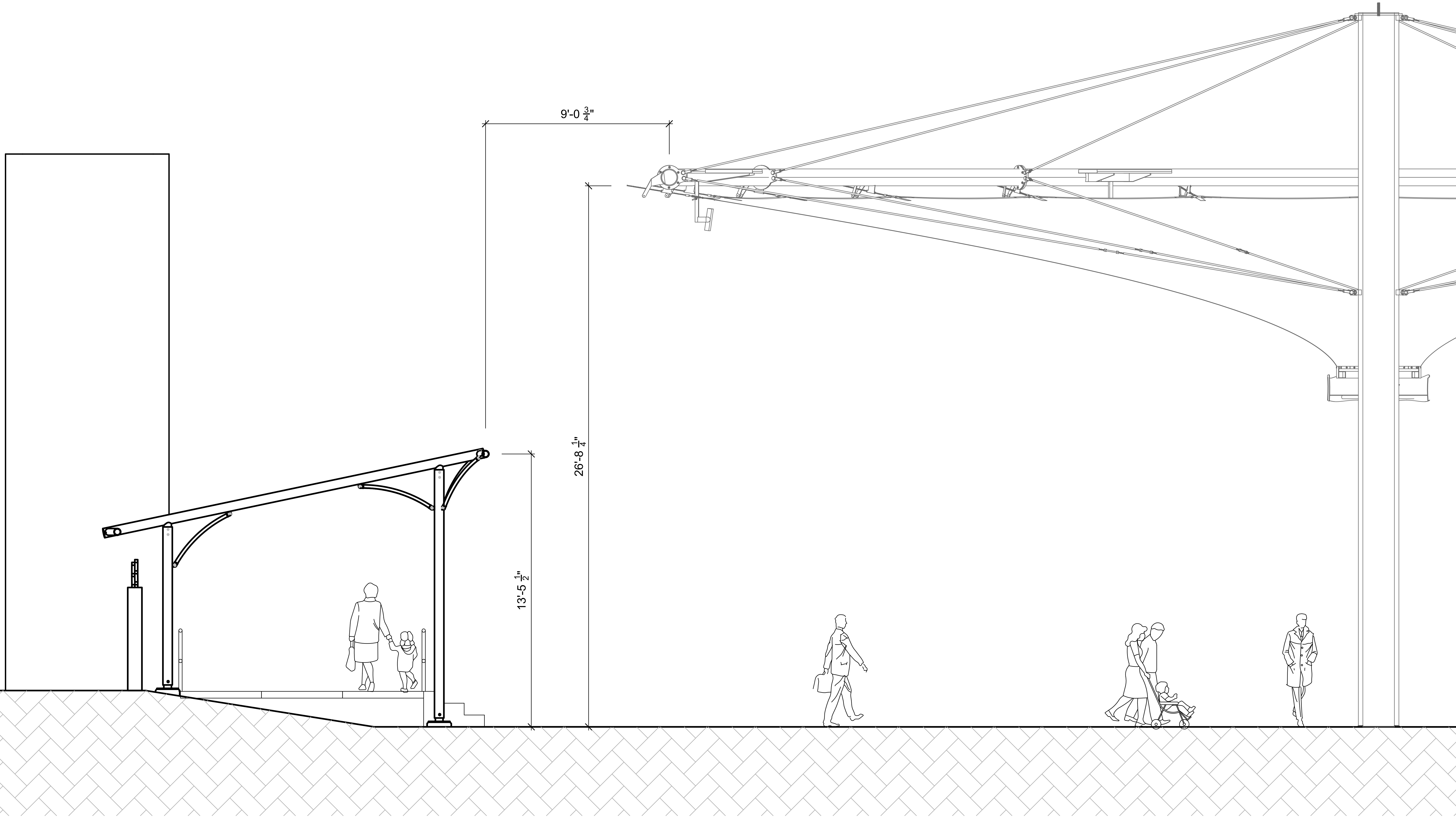


The Giller Building
 1000 Brickell Avenue, Suite 1000
 Miami, Florida 33131
 Phone: (305) 538-6324
 Fax: (305) 538-5921
 Website: www.giller.com

Pvilion
 64 John St.
 Brooklyn, NY 11201
 Phone: (718) 875-8344
 Fax: (718) 875-8344
 Website: www.pvilion.com

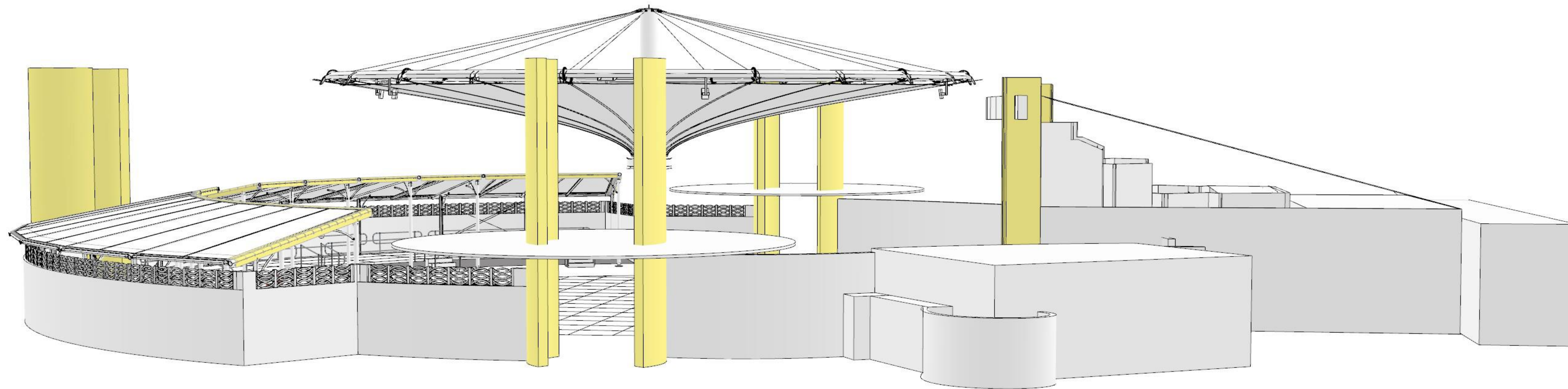
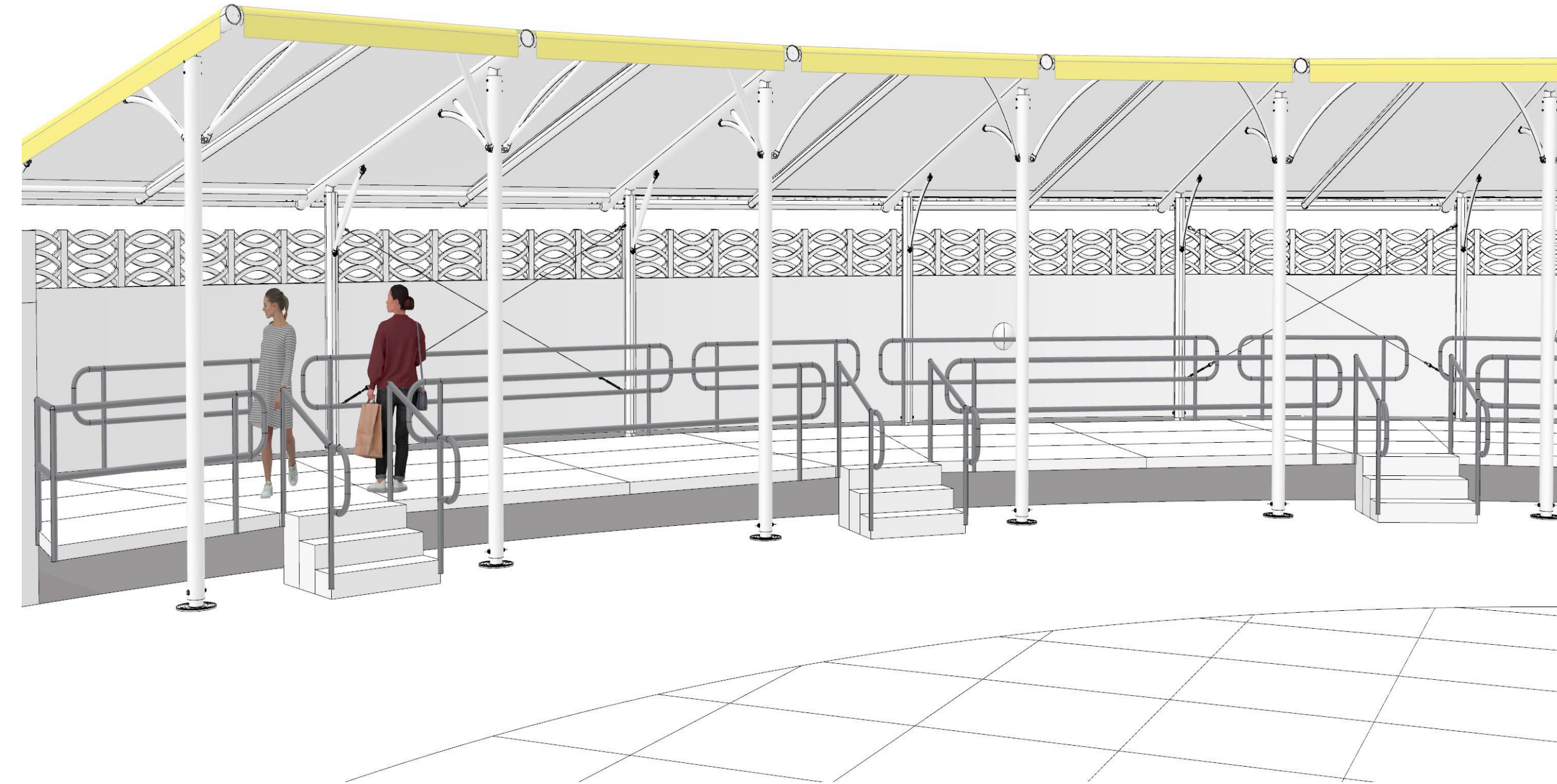
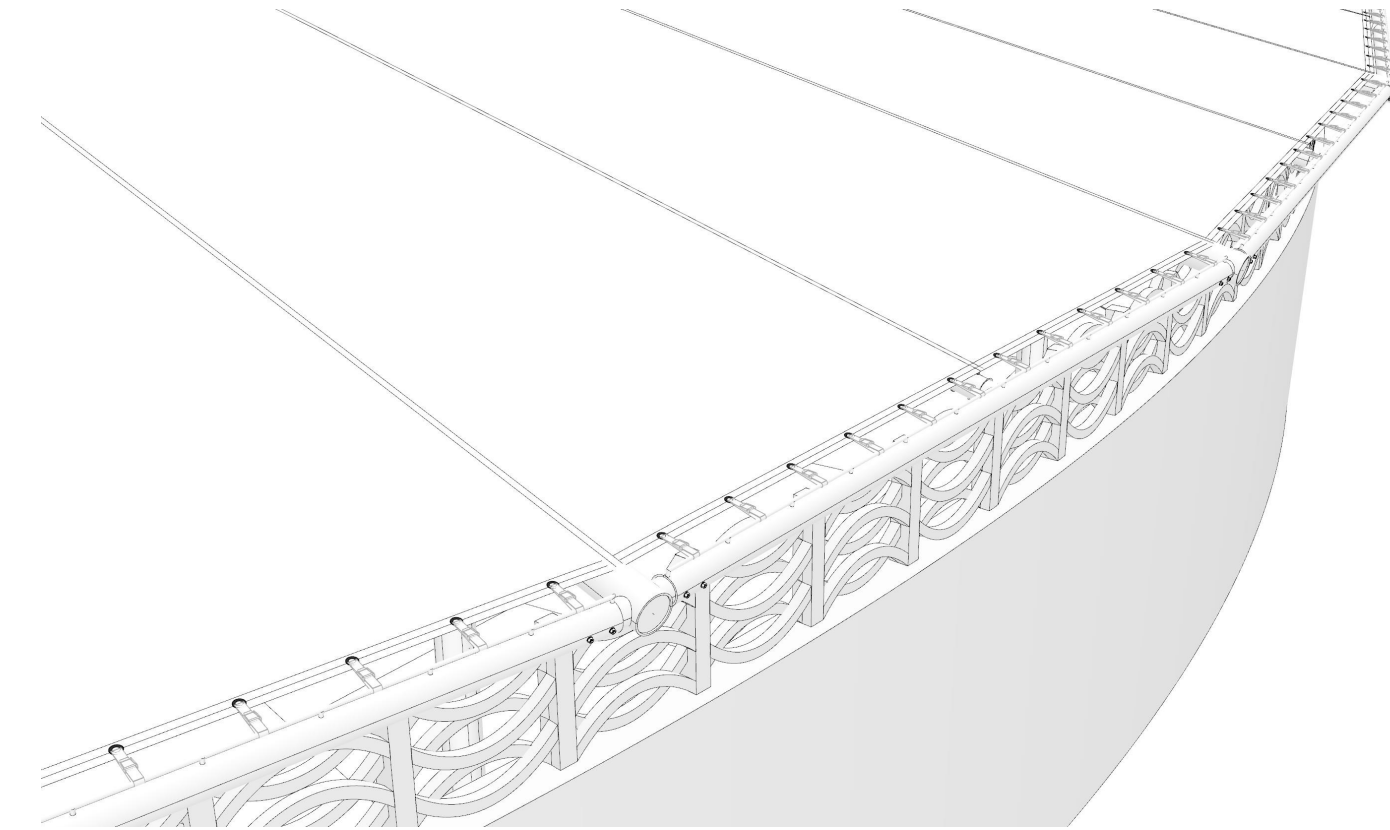
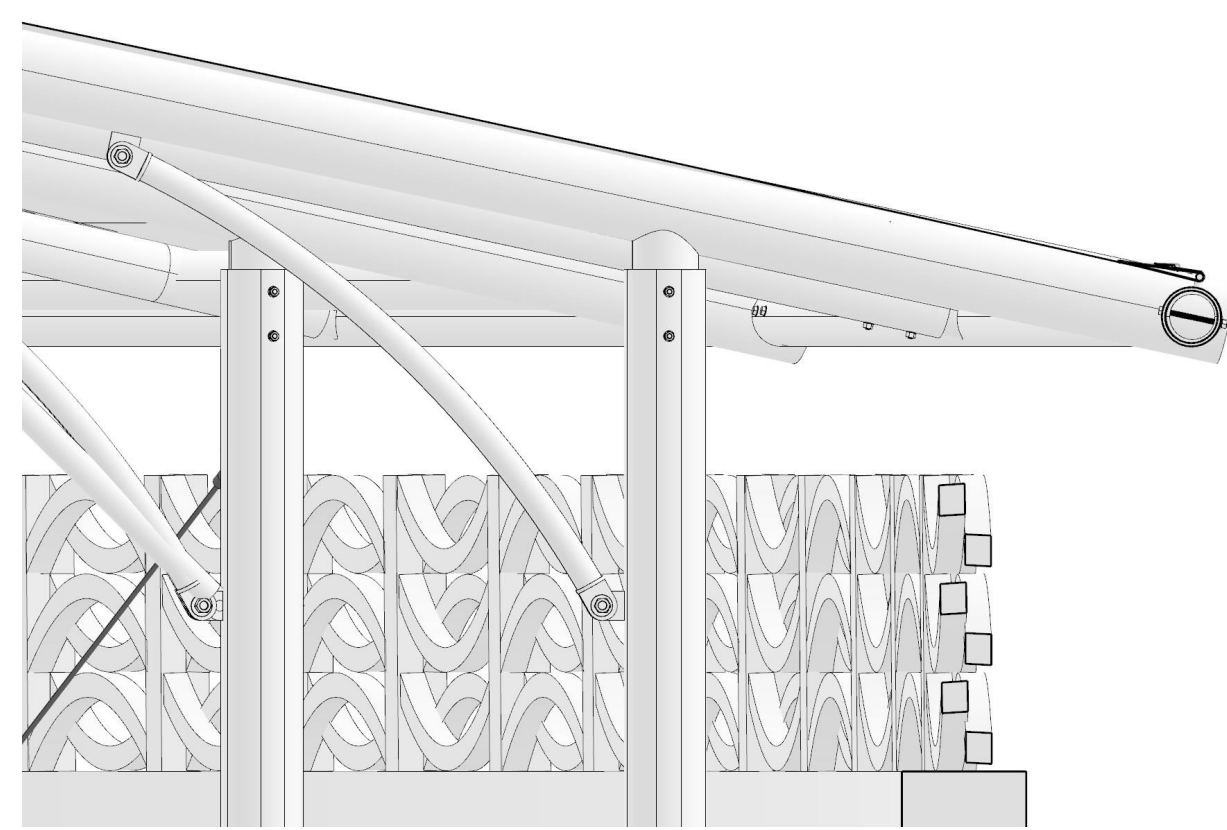
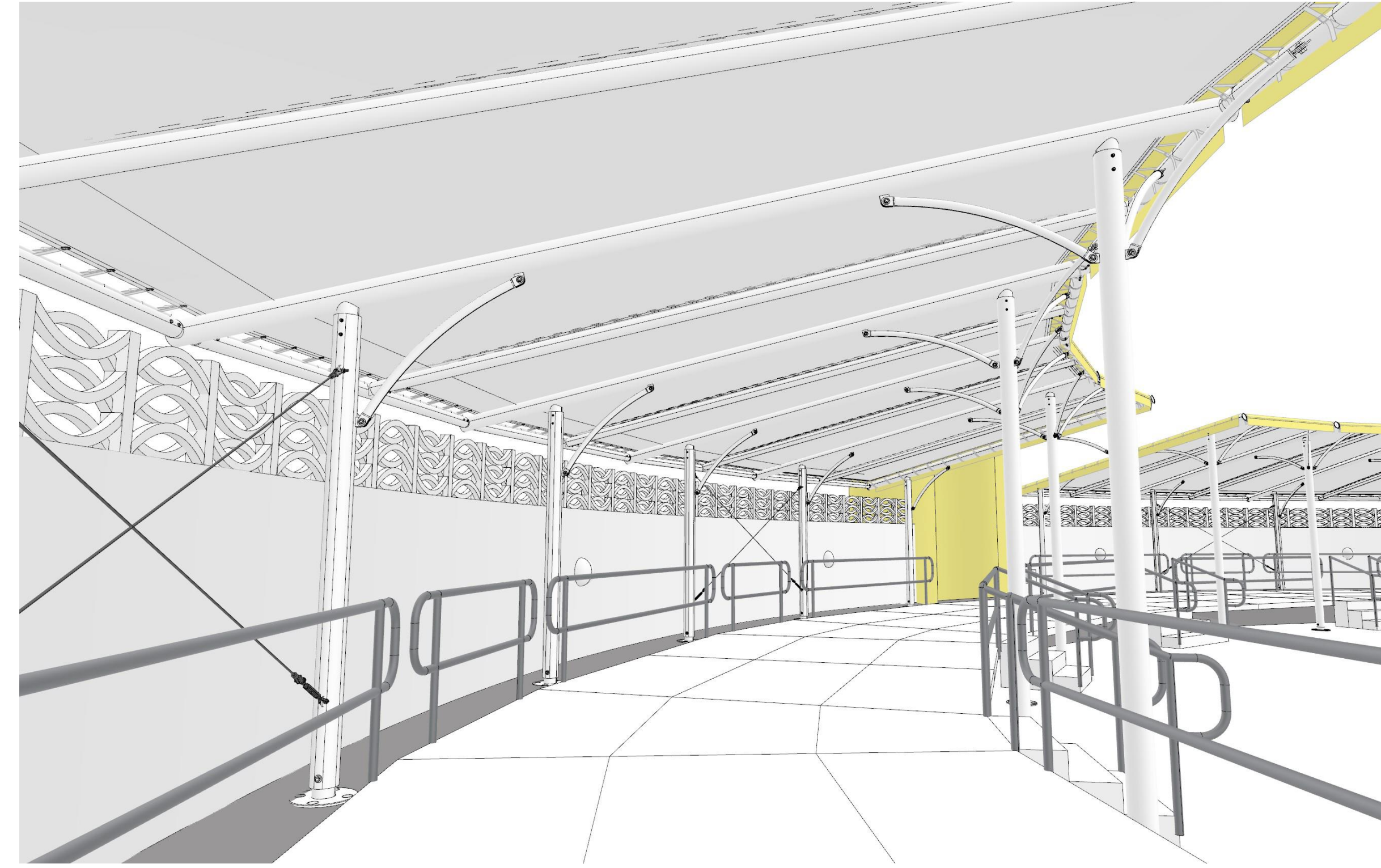
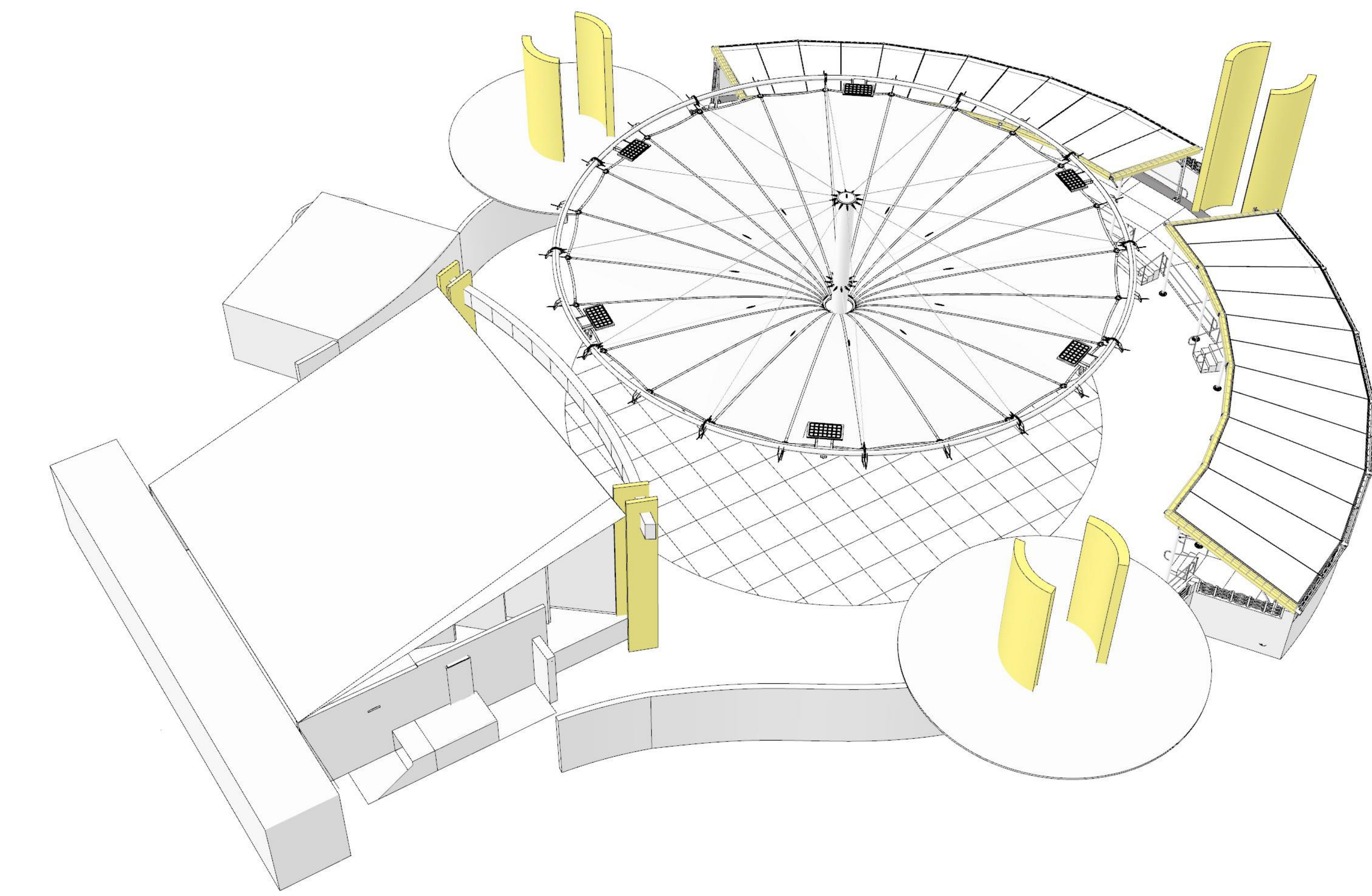


MIAMI BEACH BANDSHELL - FRAME DETAIL
SCALE: 1/2" = 1'-0"

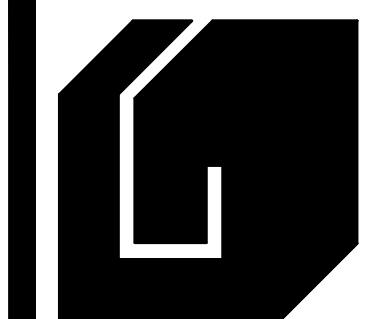


MIAMI BEACH BANDSHELL - SECTION
 SCALE: 1/2" = 1'-0"

SHEET # X-300	SHEET TITLE: SECTION	MIAMI BEACH BANDSHELL REAR CANOPY CITY OF MIAMI BEACH 7275 COLLINS AVENUE MIAMI BEACH, FLORIDA	R.J. Behar & Company, Inc. ENGINEERS • PLANNERS 6861 S.W. 196 AVE #302 PEMBROKE PINES, FL 33332	pvilion Pvilion Technologies LLC 64 John St. Brooklyn, NY 11201	Giller & Giller, Inc. The Giller Building 1000 Brick Court Miami Beach, Florida 33140 (305) 538-6324 FAX (305) 538-5921 Res: #A 020394 ARCHITECTS INTERIOR DESIGNERS CONSTRUCTION MANAGERS
-------------------------	--------------------------------	---	---	---	---



MIAMI BEACH BANDSHELL - 3D VIEWS
NO SCALE



STRUCTURAL NOTES:

GENERAL:

1. ALL DIMENSIONS SHALL BE VERIFIED BY CONTRACTOR AT THE JOB SITE AND IN CASE OF ANY DISCREPANCY IN DRAWINGS, ARCHITECT AND/OR ENGINEER SHALL BE NOTIFIED AND OBTAIN THEIR APPROVAL BEFORE PROCEEDING WITH WORK. CONTRACTOR SHALL COMPLY WITH ALL THE PROVISIONS OF THE 2020 FLORIDA BUILDING CODE AND THE ACI 318-19 SPECIFICATIONS. COORDINATION OF THE WORK OF ALL TRADES (STRUCTURAL, PLUMBING, ELECTRICAL, AIR CONDITIONING AND ARCHITECTURAL) AT THE TIME OF ERECTING THE BUILDING STRUCTURE IS CONTRACTOR'S RESPONSIBILITY. NO ADDITIONAL PAYMENTS SHALL BE MADE TO THE CONTRACTOR, FOR THE CONTRACTOR'S FAILURE TO CORRECT CONFLICTING FIELD CONDITIONS AFTER THE STRUCTURE HAS BEEN ERECTED. THE ENGINEERS SHALL NOT BE RESPONSIBLE FOR, NOR HAVE CONTROL OR CHANGE OF CONSTRUCTION MEANS, METHODS OF SEQUENCE, OR PROCEDURES, OR FOR SAFETY PRECAUTIONS AND PROGRAMS. ALL CHANGE ORDERS MUST BE SIGNED AND APPROVED BY THE OWNERS PRIOR TO APPROVAL BY THE ARCHITECT AND/OR ENGINEER. STRUCTURAL CALCULATIONS SHALL BE BASED ON WIND VELOCITY OF 110 MPH IN ACCORDANCE WITH ASCE 7-22. ALSO NEEDS TO COMPLY WITH THE 2020 FLORIDA BUILDING CODE.

CONCRETE:

1. ALL CONCRETE SHALL CONFORM WITH SECTION 346 OF THE FDOT GENERAL SPECIFICATIONS. MINIMUM CONCRETE STRENGTH: ALL STRUCTURAL CONCRETE 5000 PSI @ 28 DAYS
2. CONTRACTOR TO USE SPECIAL FORM WORK FOR ALL EXPOSED CONCRETE, FOR PROVIDING SMOOTH SURFACE FOR ALL EXPOSED CONCRETE AREAS.
3. PROVIDE VOLCLAY OR SIMILAR WATERPROOFING MEMBRANE TO COVER THE FOUNDATION, SLAB AND EXTERIOR.

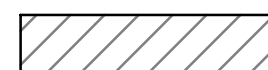

REINFORCING STEEL:

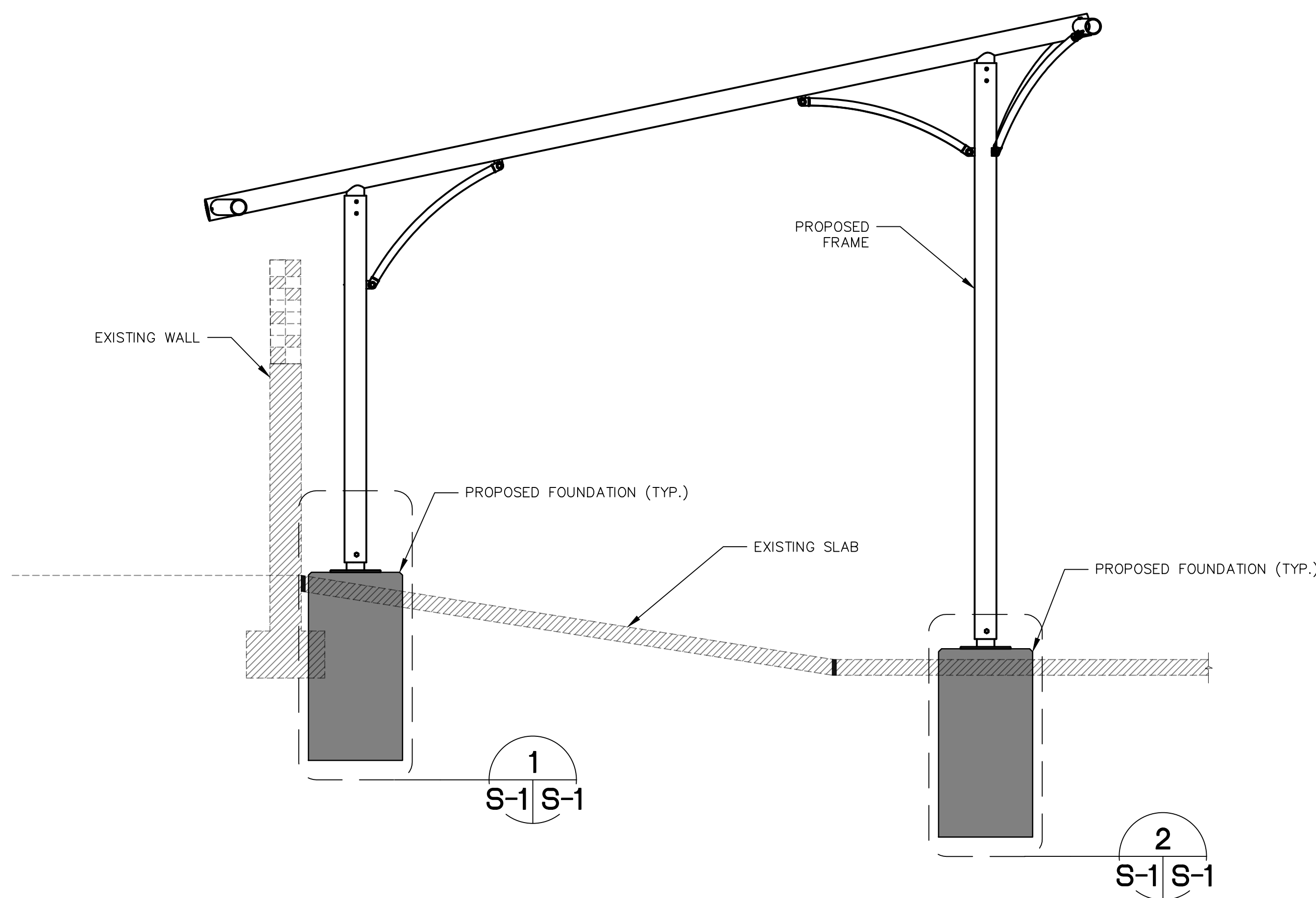
4. ALL REINFORCING STEEL SHALL BE ASTM A-615 GRADE 60 ASTM DEFORMATIONS. DETAILING, FABRICATIONS, AND PLACEMENT OF ALL REINFORCEMENT SHALL CONFORM TO THE ACI 318-19 AND CRSI SPECIFICATIONS. CONTRACTOR SHALL PROVIDE ADEQUATE CHAIR TO SUPPORT THE REINFORCING AND TO PREVENT DISPLACEMENT. ALL DISCONTINUOUS ENDS OF ALL TOP REINFORCING SHALL BE HOOKED.
5. COLUMN DOWELS AND REINFORCING SPLICES SHALL NOT BE LESS THAN 30 BAR DIAMETERS (FOR COMPRESSION MEMBERS AND SHALL BE IN ACCORDANCE WITH ACI 318-19 TABLE 1 THRU 8. LAP TOP REINFORCING STEEL AT THE MID SPAN AND BOTTOM REINFORCING STEEL OVER THE SUPPORTS. REINFORCING STEEL SHALL BE FREE OF RUST, SCALE, AND OTHER DELETERIOUS MATTER. REINFORCING CLEAR COVER AS FOLLOWS:
FOOTING 3"

TESTING MATERIAL:

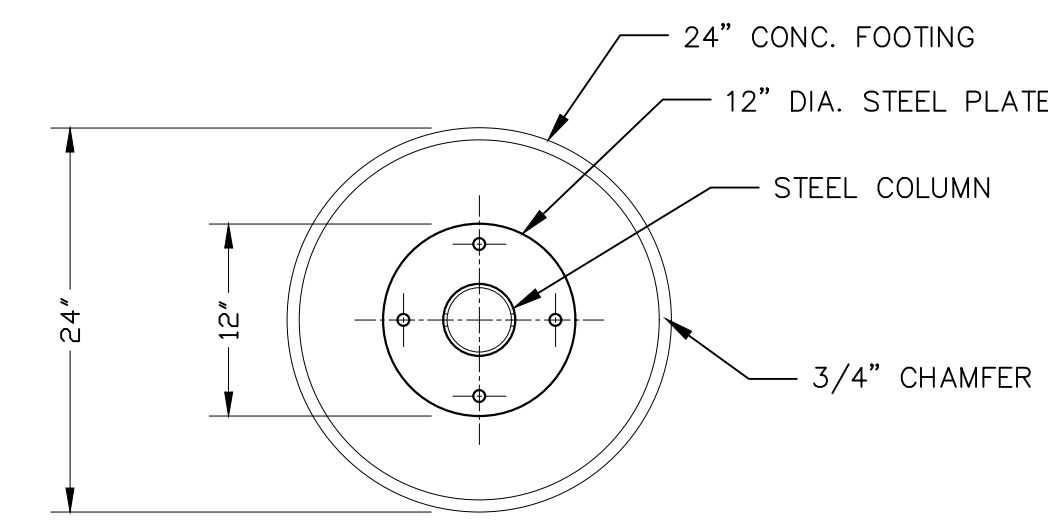
6. CONTRACTOR IS RESPONSIBLE FOR THE EXPENSES OF ALL REQUIRED TESTING, PERFORMED BY APPROVED TESTING LABORATORY. CONTRACTOR SHALL SUBMIT ALL TEST RESULT TO ENGINEER.

LEGEND:

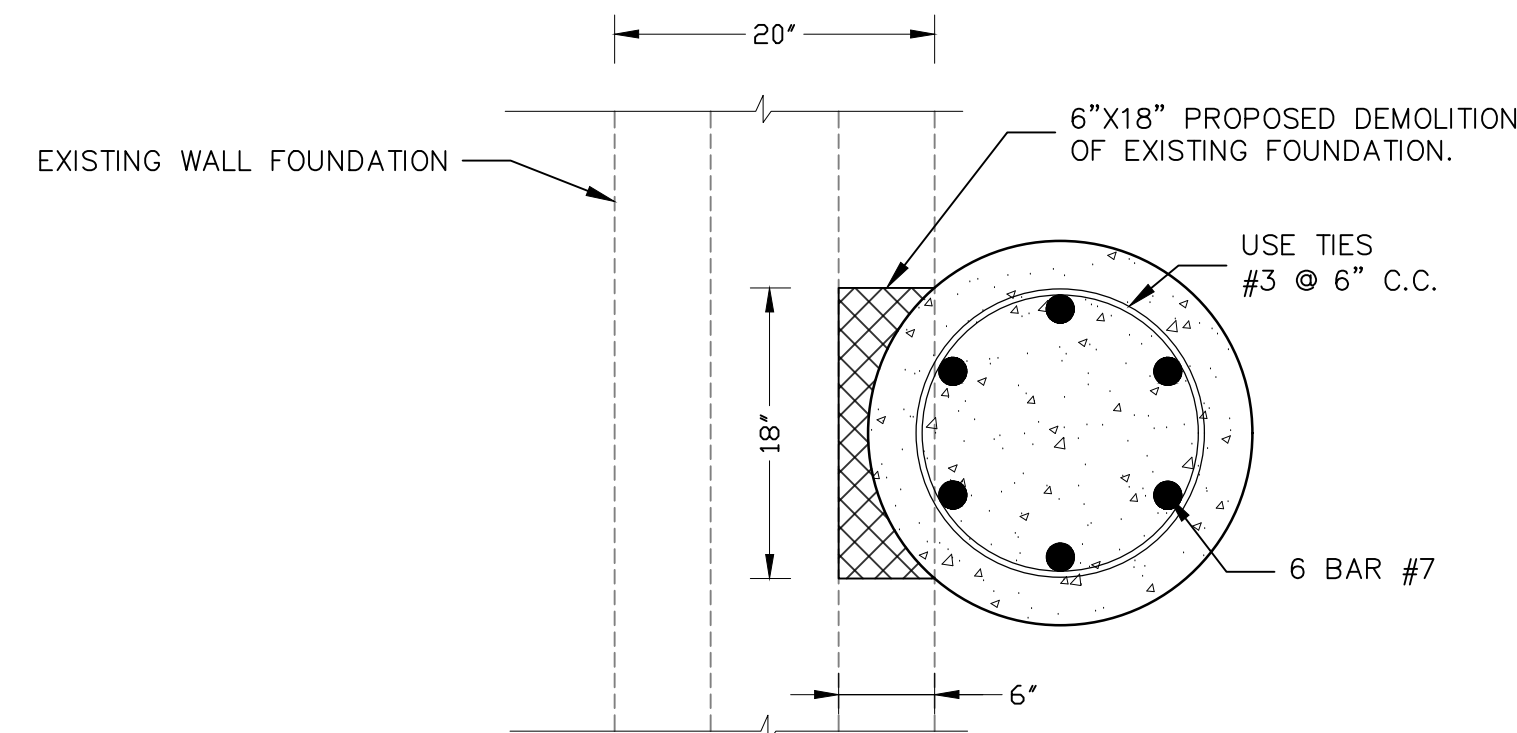
-  EXISTING CONCRETE TO REMAIN
-  EXISTING CONCRETE TO BE DEMOLISH



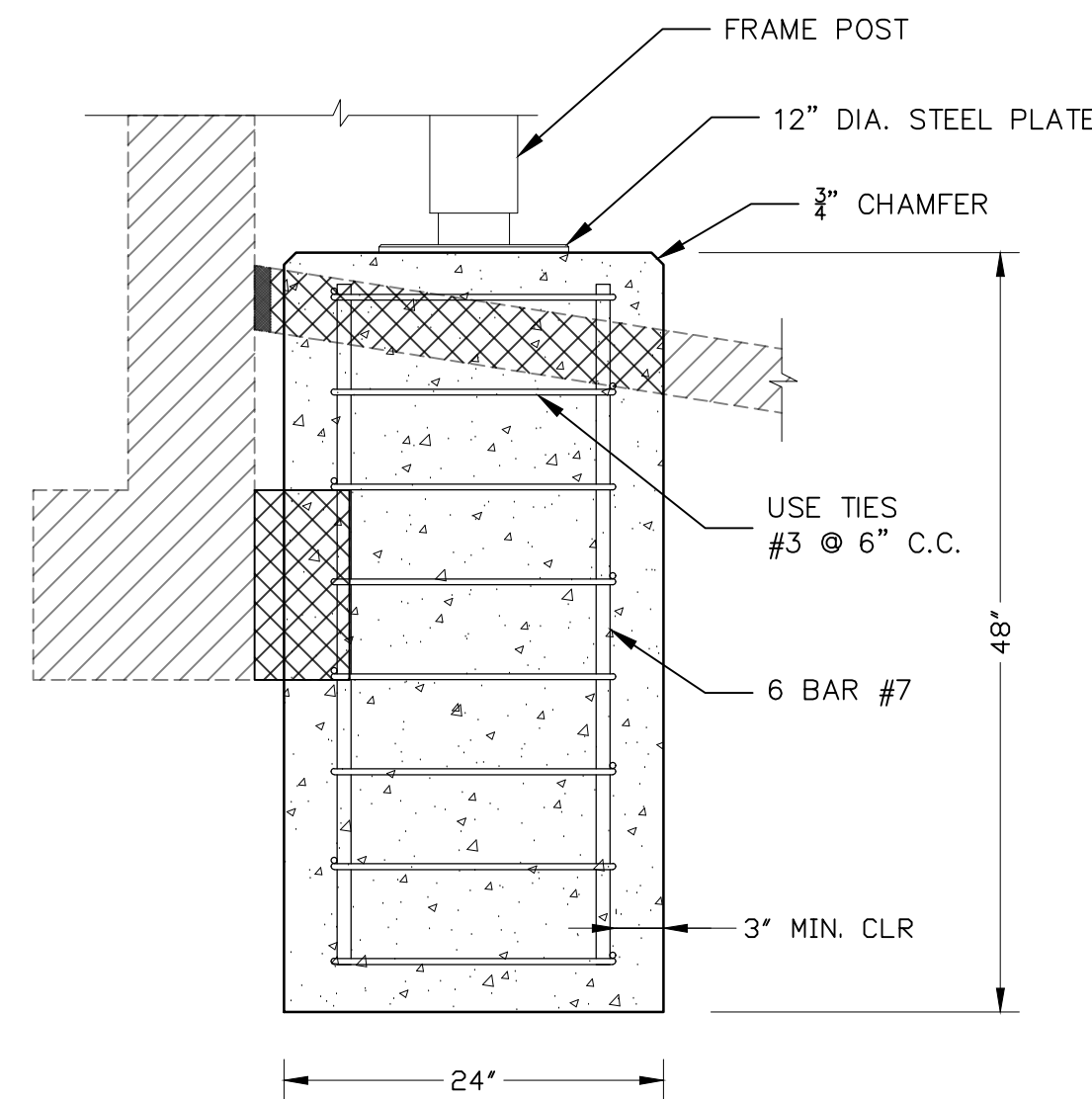
FRAME FOUNDATION VIEW
SCALE: 1/2" = 1'-0"



PLAN VIEW - STEEL PLATE

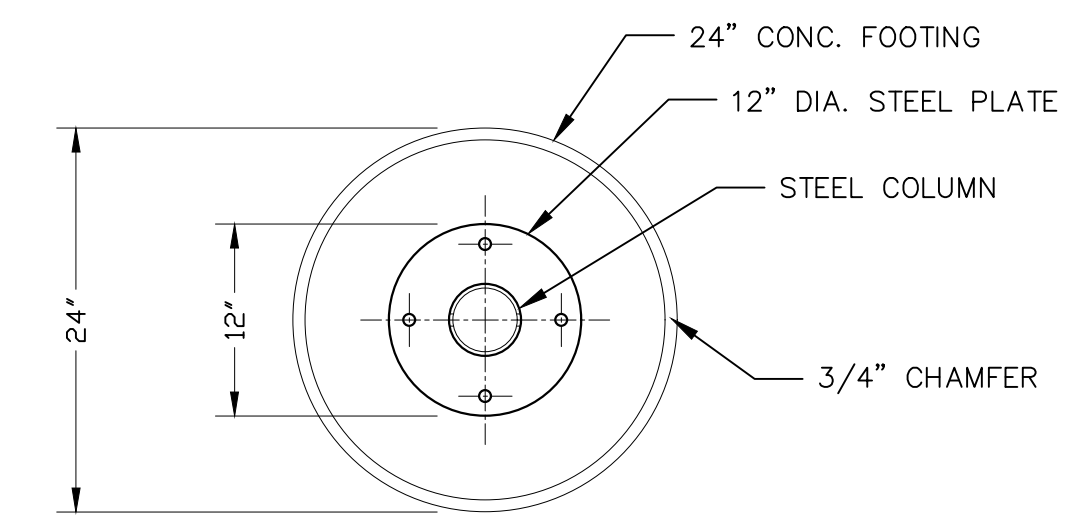


PLAN VIEW - FOOTING

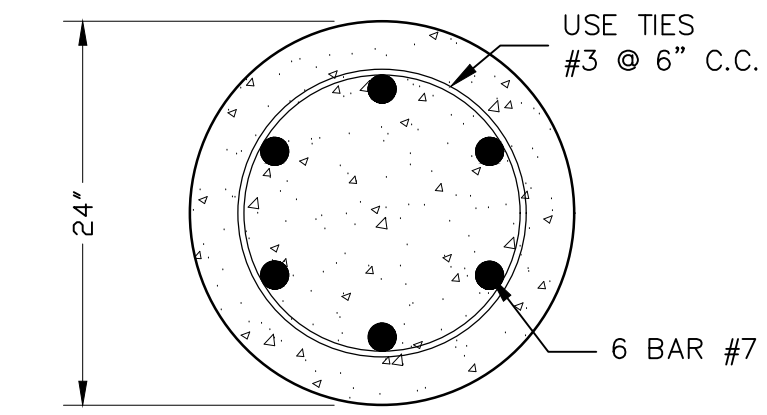


SECTION VIEW

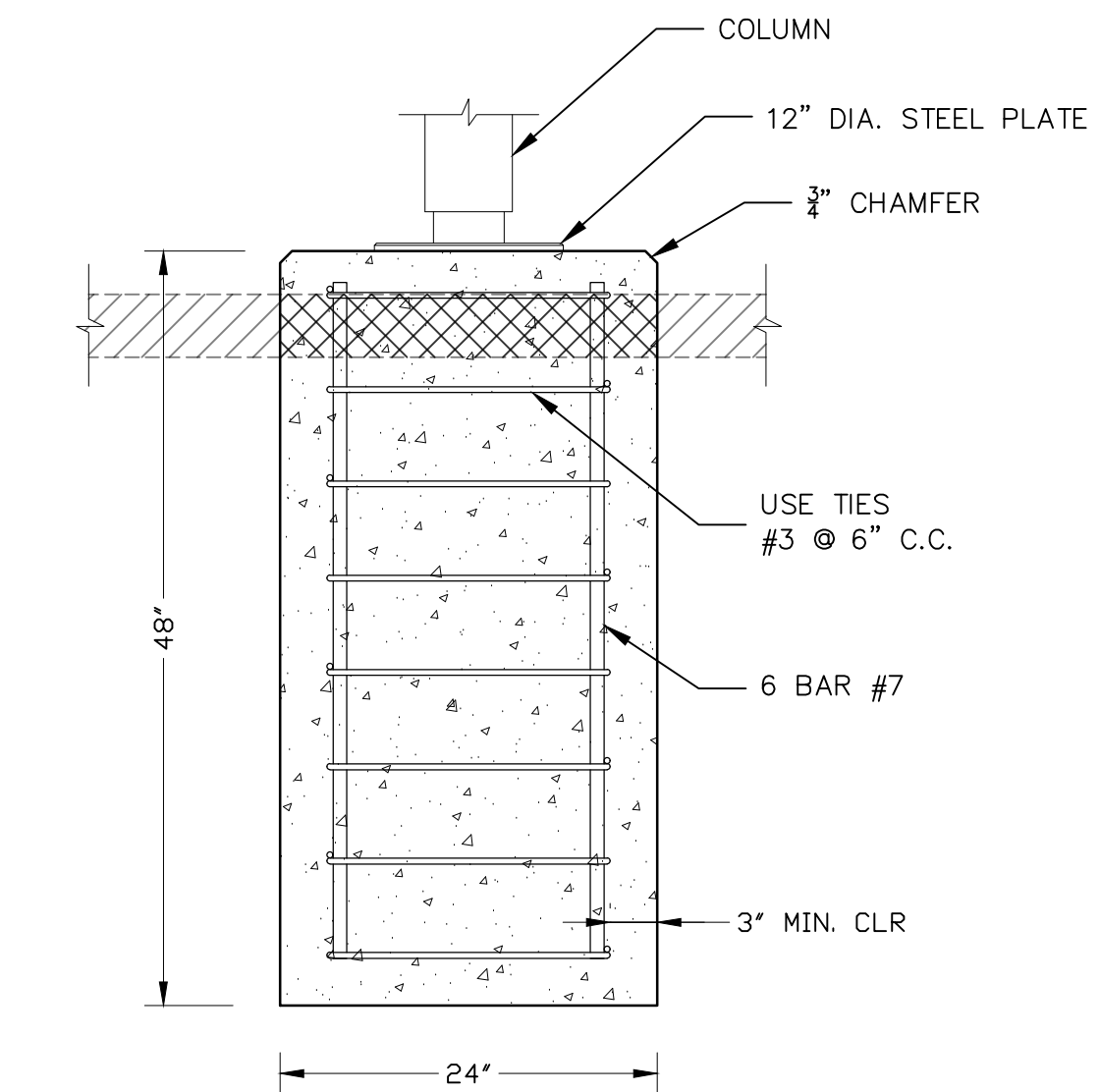
FOOTING DETAIL
SCALE: 1" = 1'-0" 1 S-1 S-1



PLAN VIEW - STEEL PLATE

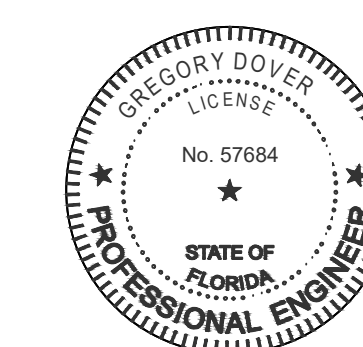


PLAN VIEW - FOOTING



SECTION VIEW

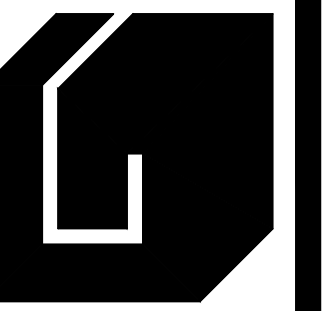
FOOTING DETAIL
SCALE: 1" = 1'-0" 2 S-1 S-1



THIS ITEM HAS BEEN DIGITALLY SIGNED AND SEALED BY GREGORY DOVER, PE, ON THE DATE ADJACENT TO THE SEAL.

PRINTED COPIES OF THIS DOCUMENT ARE NOT CONSIDERED SIGNED AND SEALED AND THE SIGNATURE MUST BE VERIFIED ON ANY ELECTRONIC COPIES.

NOT FOR CONSTRUCTION



Giller & Giller, Inc.
The Giller Building
975 Arthur Godfrey Road
Pembroke Pines, FL 33024
(305) 538-4324 FAX (305) 538-5921
Pembroke Pines, FL 33024
ARCHITECTS INTERIOR DESIGNERS CONSTRUCTION MANAGERS

pvilion
Pvilion Technologies LLC
64 John St.
Brooklyn, NY 11201

R.J. Behar & Company, Inc.
ENGINEERS - PLANNERS
8861 S.W. 196 AVE #302
PEMBROKE PINES, FL 33332

PROFESSIONAL ENGINEER
STATE OF FLORIDA
GREGORY DOVER
LICENSE NO. 57684

MIAMI BEACH BANDSHELL REAR CANOPY
CITY OF MIAMI BEACH
MIAMI BEACH, FLORIDA
7275 COLLINS AVENUE

SHEET TITLE:
STRUCTURAL NOTES & DETAILS

SHEET #
S-1

ARCH. COMM. #
23107