

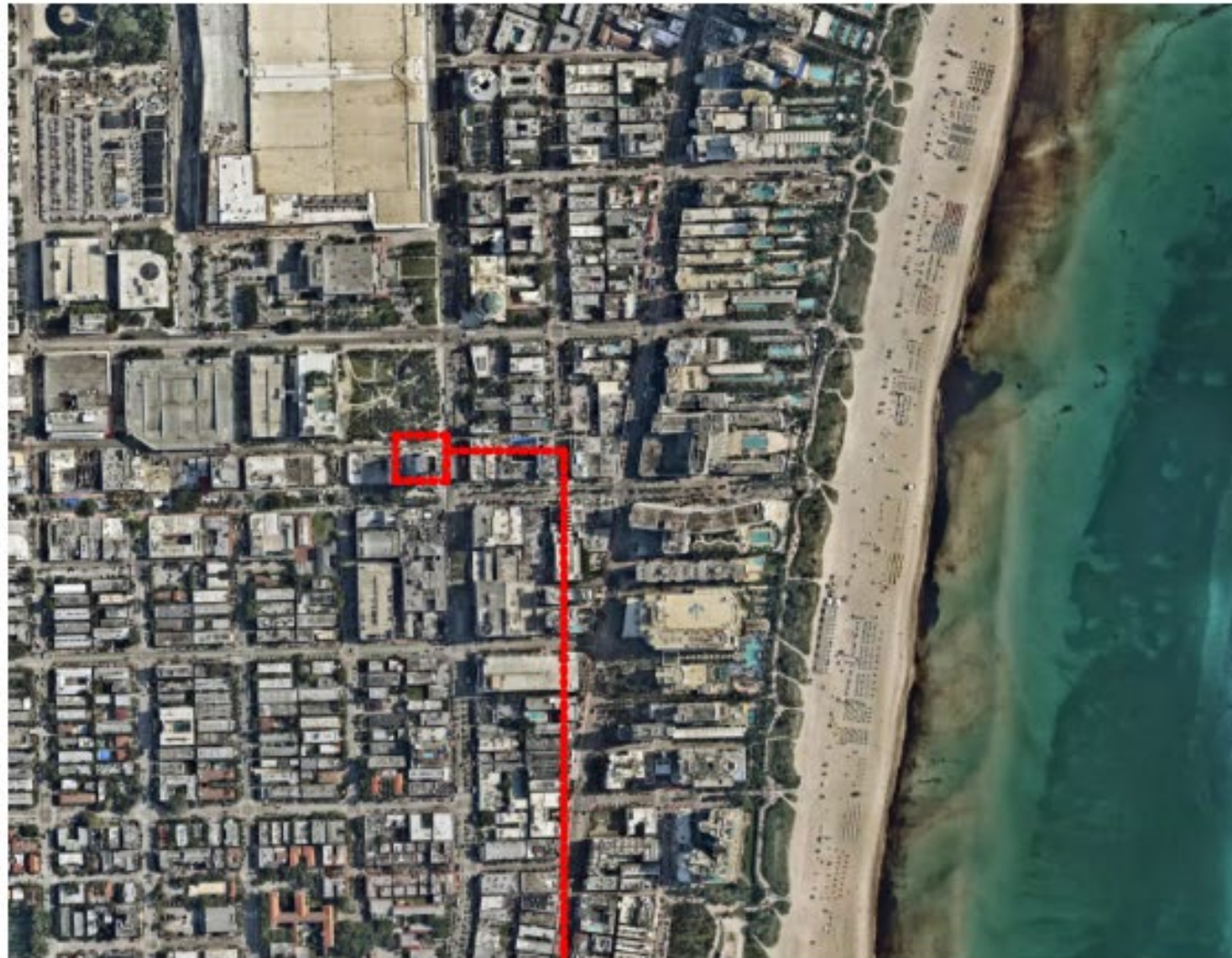
407 LINCOLN ROAD

**407 LINCOLN ROAD,
MIAMI BEACH, FL 33139**

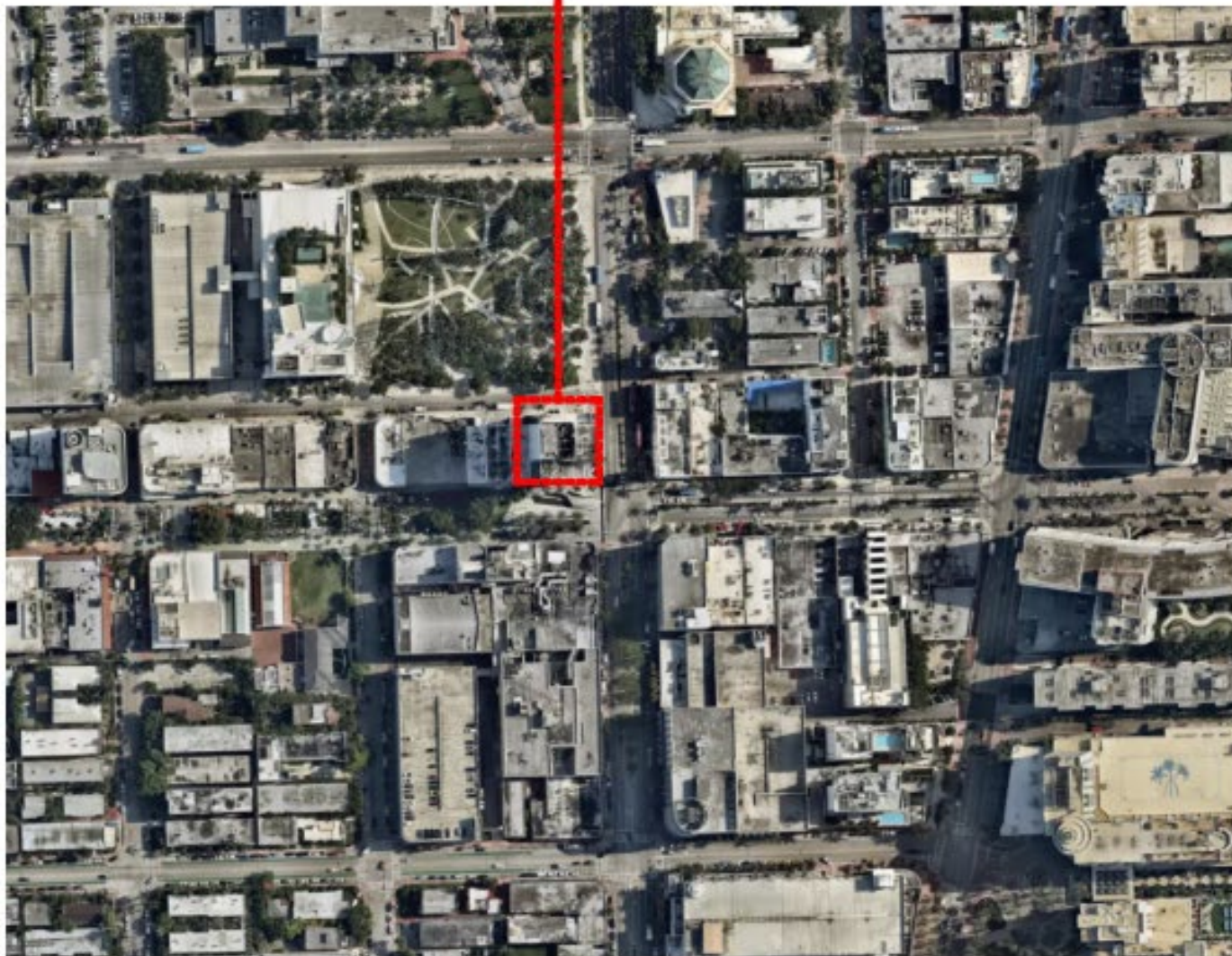
HISTORIC PRESERVATION BOARD

SCOPE OF WORK:

- ADDITION OF DECORATIVE ACCENT LIGHTS ON THE BUILDING'S EAST,NORTH AND SOUTH FACADES.



PROJECT LOCATION





Lincoln Ln



Washington Av South



Lincoln Rd



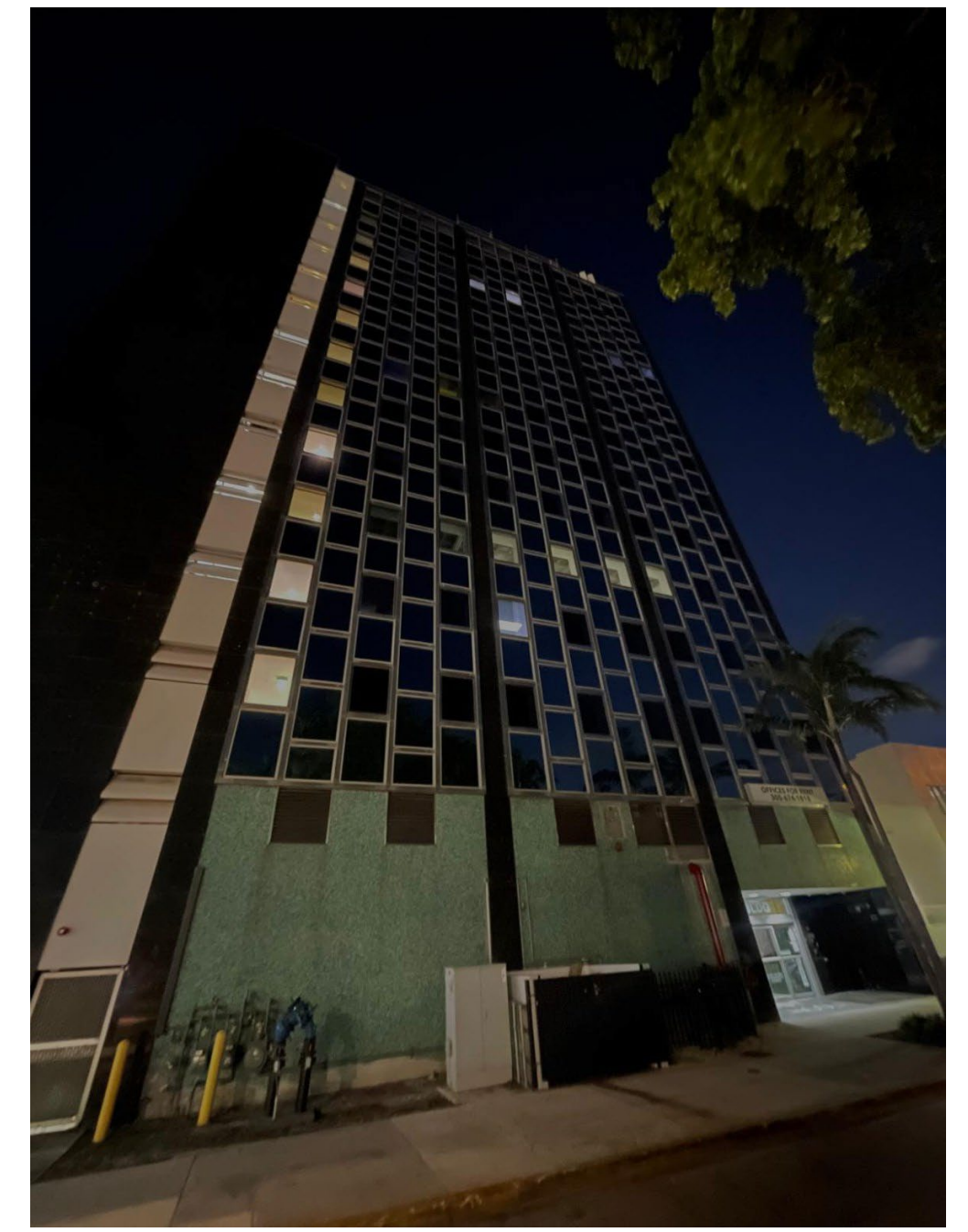
Washington Av North



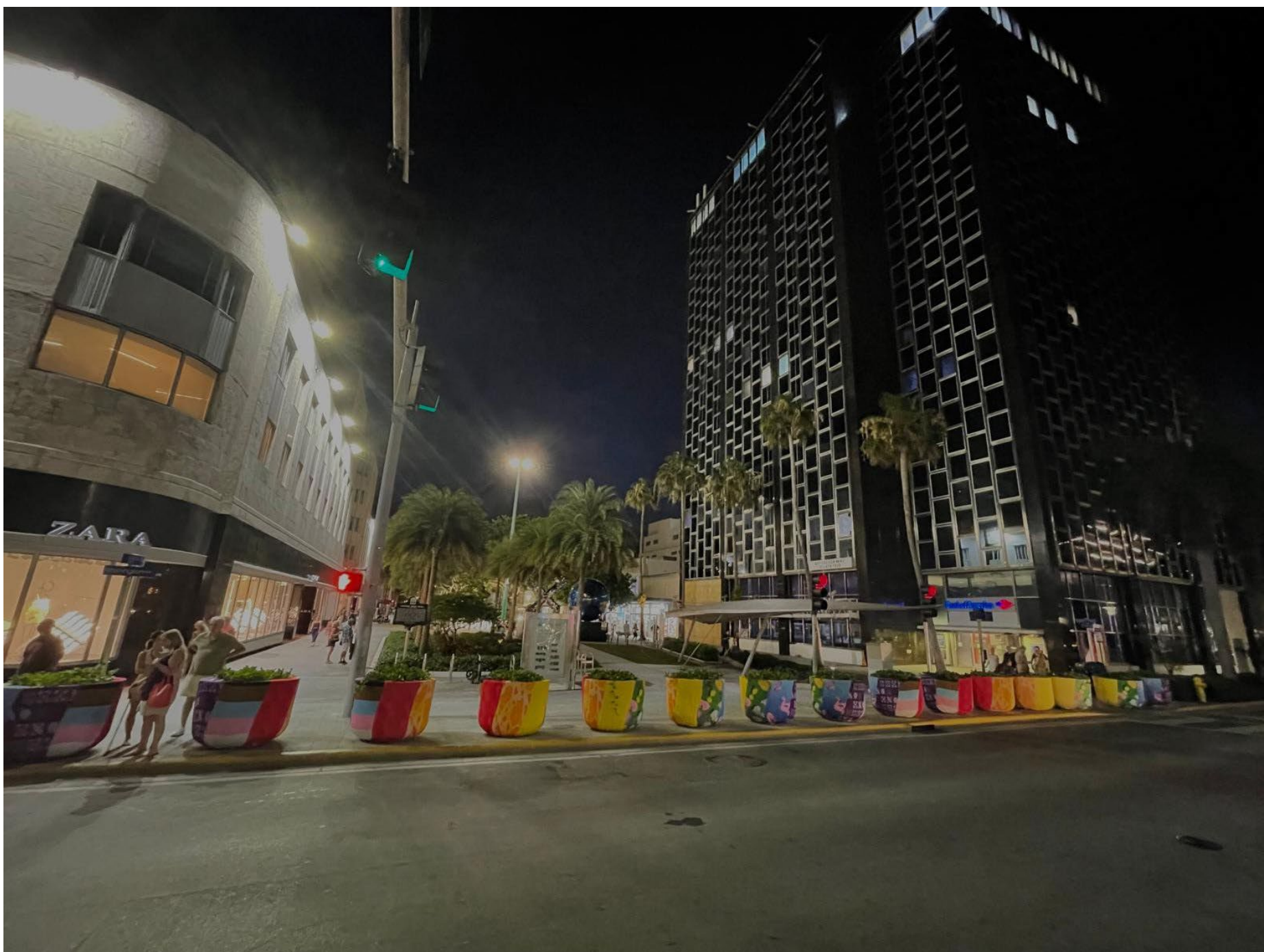
17th St.



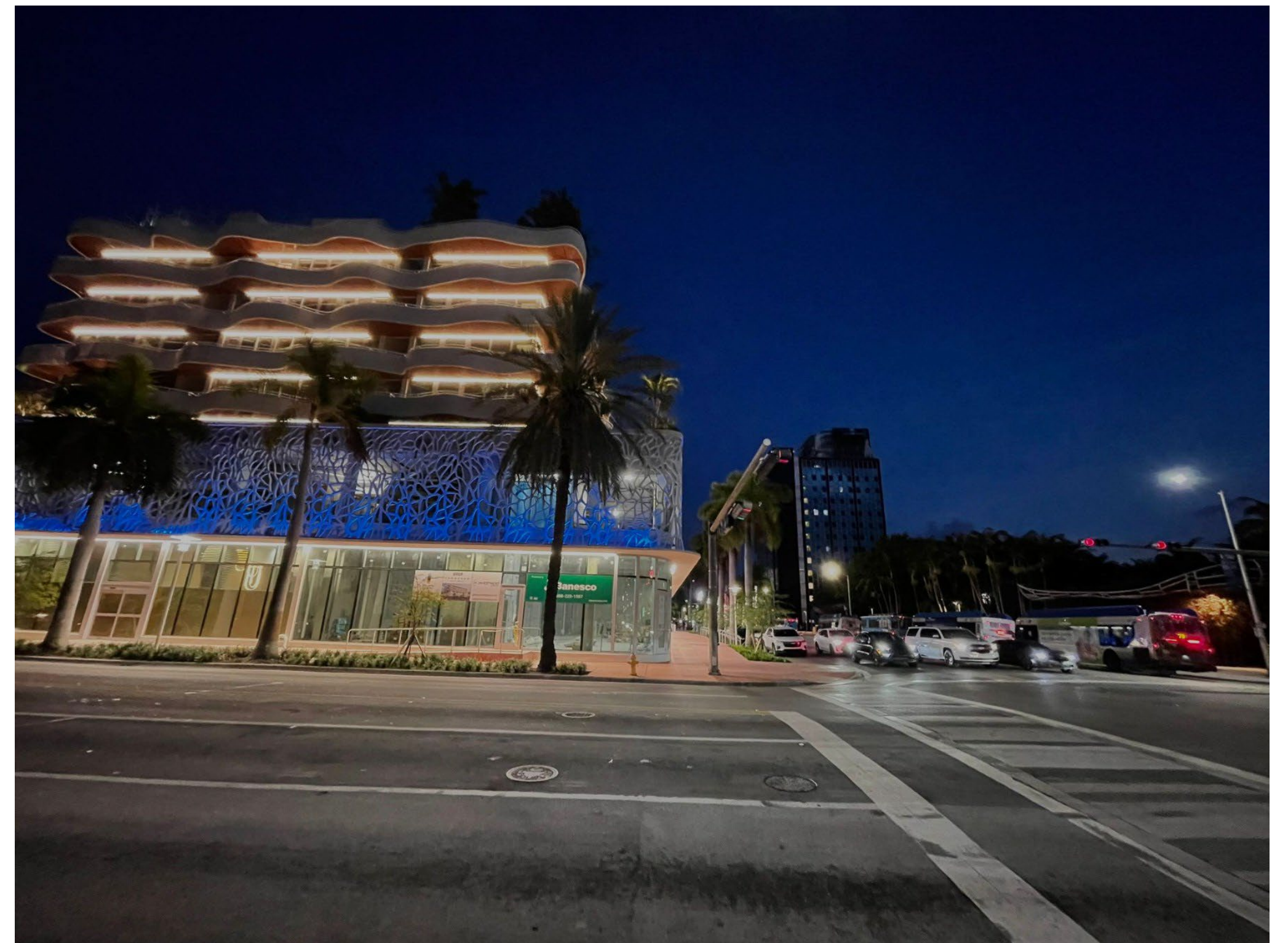
Washington Av.



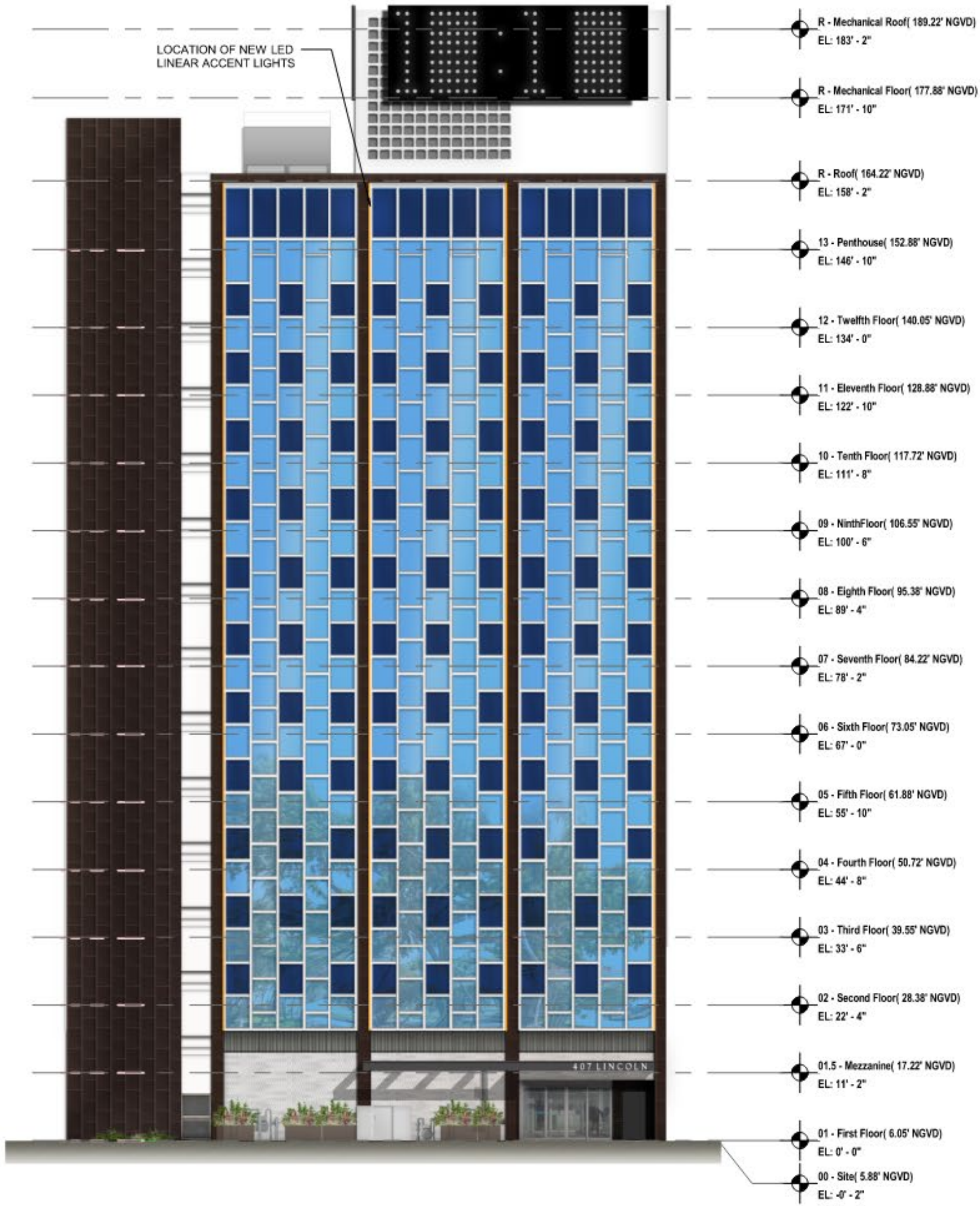
Lincoln Ln.



Washington Av.



17th and Washington Av.



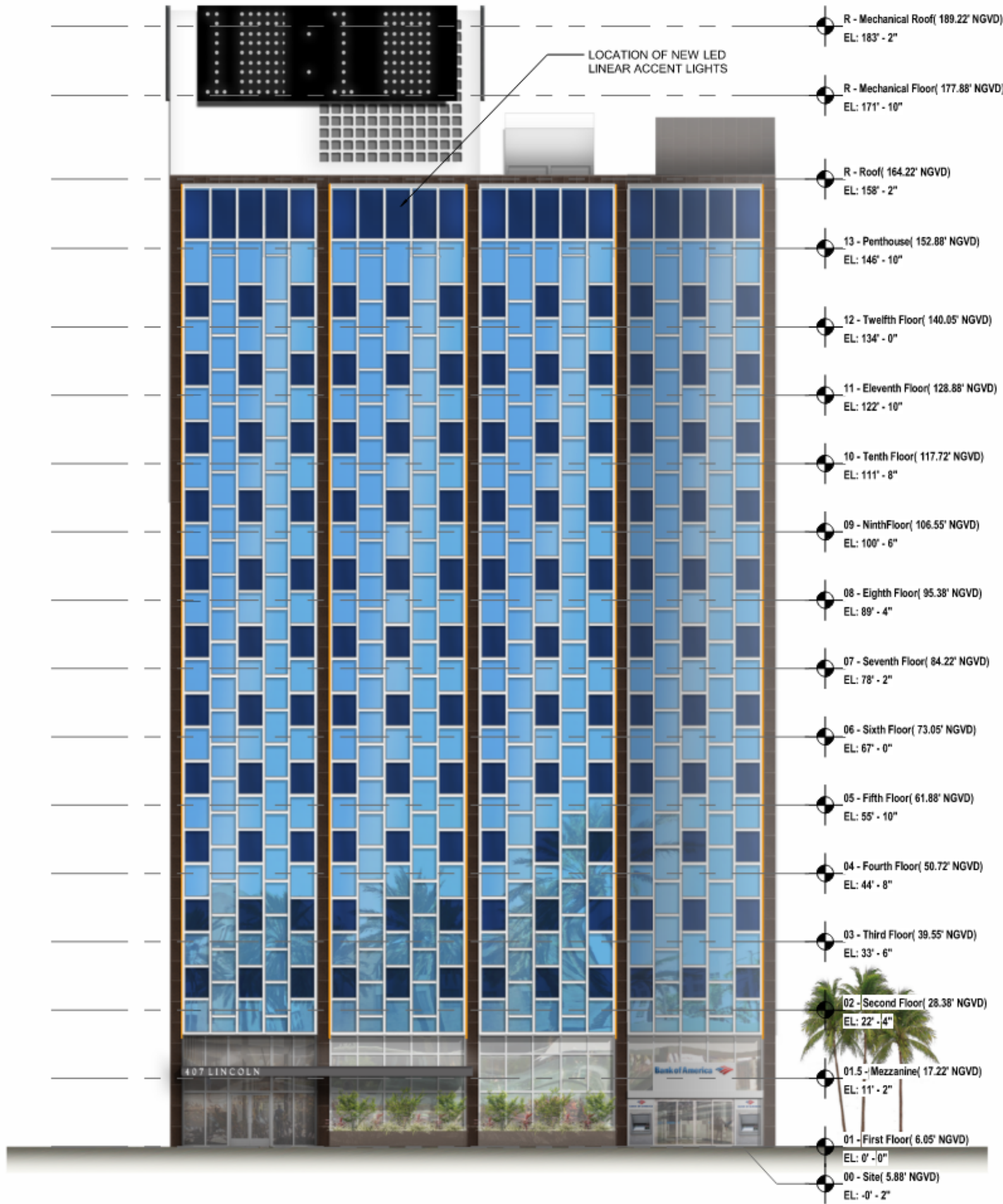
1 Proposed - Overall North Elevation-Lighting

LI-6 Scale: 3/64" = 1'-0"



2 Proposed - Overall East Elevation-Lighting

LI-6 Scale: 3/64" = 1'-0"



1 Proposed - Overall South Elevation-Lighting

LI-7 Scale: 3/64" = 1'-0"

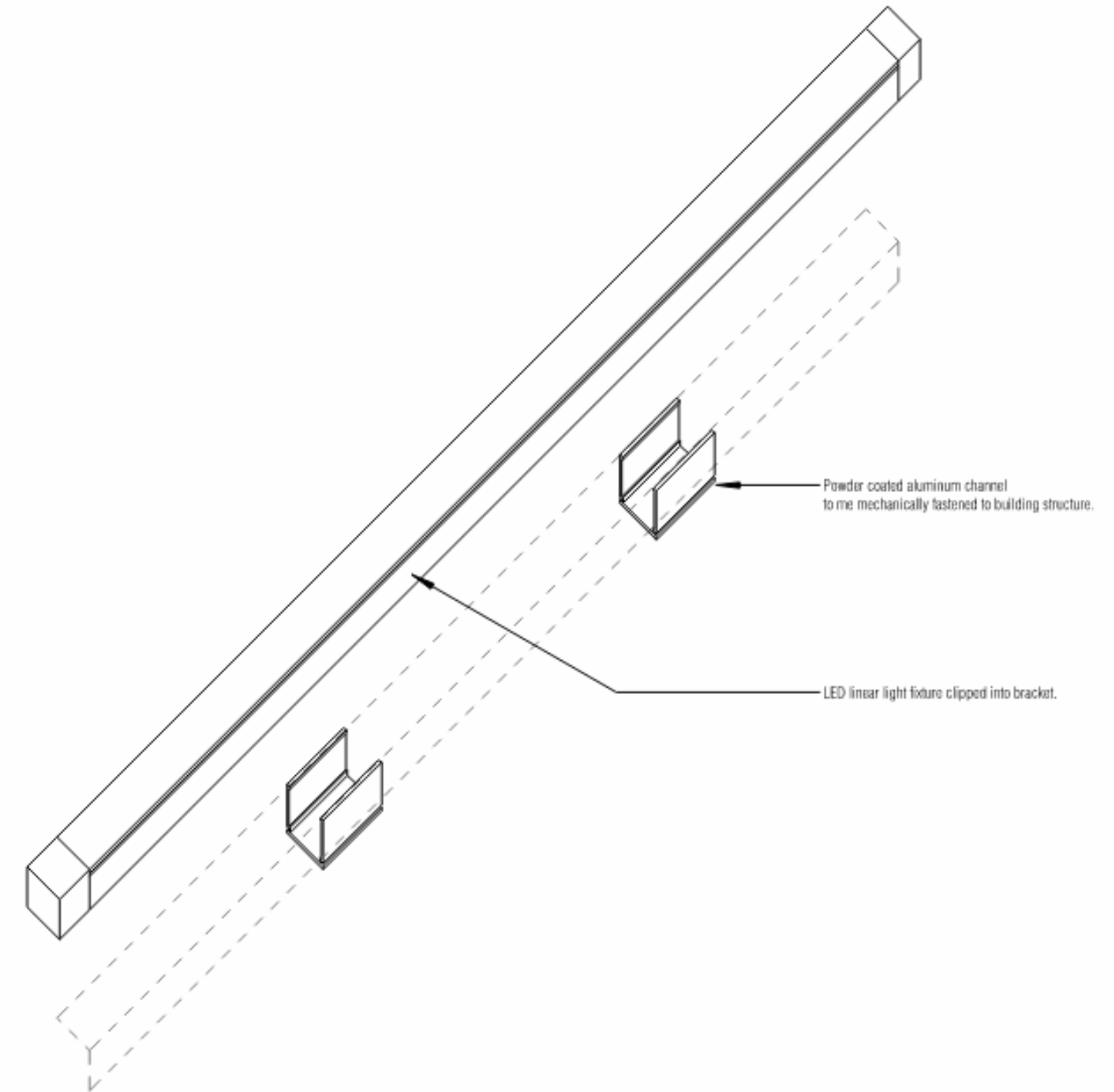
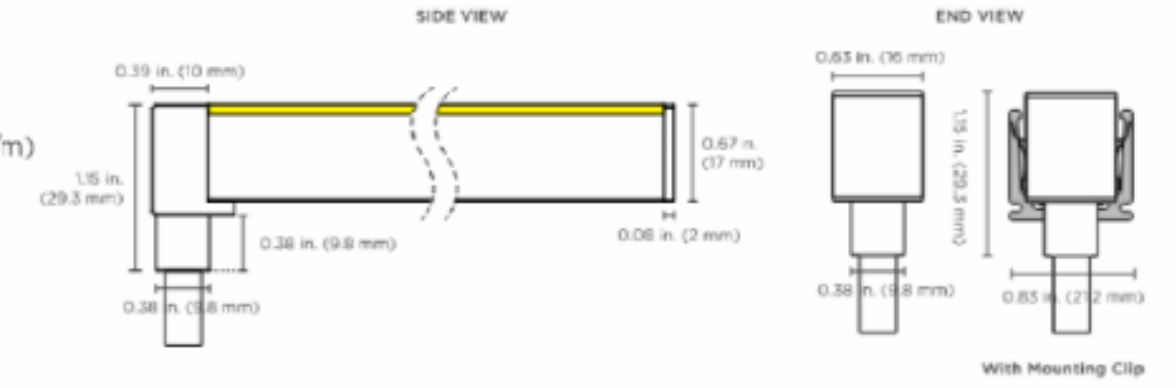
NO LIGHTING PROPOSED FOR WEST ELEVATION

LIGHT FIXTURE SPECIFICATION

NEON APEX

- Static White, Variable White, RGBW - 4.5 W/ft (14.76 W/m)
- RGBW Addressable - 5.3 W/ft (17.4 W/m) at 3500K

Dimension drawings show the bottom power feed with molded end caps. See spec sheet for end power feed.



2 Installation Bracket

LI-7 Scale: 1/4" = 1'-0"



