



LINCOLN RD
350 Lincoln Rd
Miami Beach, FL 33139

EXTERIOR SCOPE DESCRIPTION:

1. Install illuminated green fins as architectural feature behind TD Signage on street facing north and west wall.
2. Replace TD Signage on ground level with TD Bank current design standards, including ceiling-hung illuminated TD cube at main entrance canopy.
3. Install Illuminated TD hyper shield on interior side of storefront window facing lincoln road.

05/15/2023



PROPOSED EXTERIOR BRANDING & IMPROVEMENTS

350 Lincoln Road, Miami Beach, FL 33139

ENTERPRISE REAL ESTATE
ARCHITECTURE + DESIGN



MIAMI BEACH, FL



PROPOSED EXTERIOR - DAYTIME

**Rendering provided by IRG*

PROPOSED EXTERIOR SCOPE OF WORK:

- DEMO EXISTING TD SHIELD ABOVE ENTRANCE CANOPY AND REPAIR/ PATCH UP ROOF AS REQUIRED. INSTALL NEW INTERNALLY ILLUMINATED TD CUBE PROVIDED BY ATLAS, APPROX. DIM. PER SIDE: 33.52"X30" (WXH).
- PROVIDE NEW NOA MIAMI-DADE APPROVED IMPACT RESISTANT STOREFRONT SYSTEM AT MAIN ENTRANCE TO MATCH EXISTING IN CLEAR ANODIZED FINISH AND INSTALL NEW TD DOOR PULLS ON BOTH SIDES OF DOORS.

PROPOSED EXTERIOR - NIGHTTIME

**Rendering provided by IRG*

- POWER WASH EXTERIOR BUILDING FACADE.
- DEMO EXISTING TD LOCKUPS AND REPAIR/PATCH UP WALL AS REQUIRED. INSTALL NEW TD LOCKUP OVER ILLUMINATED METAL FINS AT LINCOLN ROAD AND WASHINGTON AVE ELEVATIONS WITH NEW AS SHOWN.
- PROVIDE NEW TD 361 GREEN ARCHITECTURAL ILLUMINATED FINS AS SHOWN PROVIDED BY IRG.
- INSTALL GREEN LINEAR LIGHTING ABOVE CANOPY: BASIS OF DESIGN NOVE FLEX TAPE.

TD BANK EXISTING EXTERIOR

350 Lincoln Road, Miami Beach, FL 33139

ENTERPRISE REAL ESTATE
ARCHITECTURE + DESIGN



MIAMI BEACH, FL



TD BANK OVERALL BUILDING VIEW



TD BANK ENTRANCE VIEW

TD BANK EXISTING EXTERIOR

350 Lincoln Road, Miami Beach, FL 33139

ENTERPRISE REAL ESTATE
ARCHITECTURE + DESIGN



MIAMI BEACH, FL



LINCOLN RD ELEVATION



WASHINGTON AVE ELEVATION

NEARBY BUILDINGS

350 Lincoln Road, Miami Beach, FL 33139

ENTERPRISE REAL ESTATE
ARCHITECTURE + DESIGN



MIAMI BEACH, FL



WASHINGTON AVENUE SOUTH VIEW

NEARBY BUILDINGS

350 Lincoln Road, Miami Beach, FL 33139

ENTERPRISE REAL ESTATE
ARCHITECTURE + DESIGN



MIAMI BEACH, FL



VERIZON BUILDING



LINCOLN RD

SURROUNDING BUILDINGS

350 Lincoln Road, Miami Beach, FL 33139

ENTERPRISE REAL ESTATE
ARCHITECTURE + DESIGN



MIAMI BEACH, FL



LINCOLN RD INTERSECTION



WASHINGTON AVE NORTH VIEW

ANS D 2204



TD BANK - LINCOLN RD.
350 LINCOLN RD.
MIAMI BEACH, FL 33139



PERMIT SET
03/30/2023

11/1/2023 12:43:04 PM

PROJECT DIRECTORY

Owner TD Bank 12000 Atrium Way MT. Laurel, NJ 08054 Contact: Nicole Thompson-Floyd T: (813) 335-5043	Architect BERGMANN 8375 Dix Ellis Trail, Suite 105 Jacksonville, FL 32256 Contact: Michelle H. Diegan T: (904) 760-4504	Electrical Engineer BERGMANN 8375 Dix Ellis Trail, Suite 105 Jacksonville, FL 32256 Contact: Brett Garner T: (904) 760-4510	Mechanical/Plumbing Engineer BERGMANN Six Tower Bridge 181 Washington Street, Suite 430 Conshohocken, PA 19428 Contact: Evan Graves T: (484) 567-7689
Construction Manager RJP Consulting Group 211 Welsh Pool Rd, Suite 200 Exton, PA 19341 Contact: Chris Groves T: (707) 815-6734	General Contractor TBD Street City/State/Zip Contact: T: () F: ()		

CODE SUMMARY

APPLICABLE CODES

BUILDING CODE	: 7TH EDITION (2020) FLORIDA BUILDING CODE - BUILDING
PLUMBING CODE	: 7TH EDITION (2020) FLORIDA BUILDING CODE - EXISTING BUILDING
MECHANICAL CODE	: 7TH EDITION (2020) FLORIDA BUILDING CODE - PLUMBING
ELECTRICAL CODE	: 7TH EDITION (2020) FLORIDA BUILDING CODE - MECHANICAL
FIRE PROTECTION CODE	: NFPA 70, 2017 NATIONAL ELECTRIC CODE
FUEL GAS CODE	: 7TH EDITION (2020) FLORIDA FIRE PREVENTION CODE
ENERGY CODE	: 7TH EDITION (2020) FLORIDA BUILDING CODE - FUEL GAS
ACCESSIBILITY CODE	: 7TH EDITION (2020) FLORIDA BUILDING CODE - ENERGY CONSERVATION
	: 7TH EDITION (2020) FLORIDA BUILDING CODE - ACCESSIBILITY

FIRE ALARM REQUIRED AND PROVIDED PER EXISTING PER 2020 FBC 907.2.2

DESCRIPTION	CODE REFERENCE	REQUIRED / ALLOWED	PROPOSED
GENERAL			
USE GROUP	: SECTION 304.1	: BUSINESS GROUP B	: BUSINESS GROUP B
CONSTRUCTION TYPE	: TABLE 601	: 1A	: PER EXISTING
BUILDING HEIGHT AND AREA	: TABLE 503	: 55'-0" / 14000 SF	: TENANT SPACE: +/- 18'-0" / 4,678 SF
NUMBER OF STORIES	: TABLE 503	: 1 STORY	: 6 STORIES (TD IS ON FIRST FLOOR)
AREA MODIFICATIONS	: N/A	: N/A	: N/A
SPECIAL USE	: N/A	: N/A	: N/A
MIXED USE	: N/A	: N/A	: N/A
AUTOMATIC SPRINKLER SYSTEMS	: SECTION 903	: EXISTING NFPA 13	: PER EXISTING
PORTABLE FIRE EXTINGUISHERS	: SECTION 906	: 75' MAX. DISTANCE	: 20' (QTY: 3)

OCCUPANT LOAD

DESCRIPTION	CODE REFERENCE	REQUIRED / ALLOWED	PROPOSED
GROSS FLOOR AREA	: TABLE 1004.5		: 4,672 SF GROSS AREA
OCCUPANCY - BUSINESS AREA		: 150 SF GROSS/ OCCUPANT	: 3,847.52 SF / 150 SF = 26.65 OCC
- EMPLOYEE LOUNGE		: 15 SF NET / OCCUPANT	: 208.98 SF / 15 SF = 13.93 OCC
- COIN ROOM/ VAULT/ JANITOR CLOSET/ MECH/ ELEC ROOM		: 300 SF GROSS / OCCUPANT	: 100.32+178.07+71.59+416.65 = 766.63 SF / 300 = 2.55 OCC
- STANDING AREAS		: 5 SF NET / OCCUPANT	: 15 SF / 5 SF = 3 OCC
- CONCENTRATED CHAIRS		: 7 SF NET / OCCUPANT	: 93.12 SF / 7 SF = 13.30 OCC
TOTAL OCCUPANT LOAD			: 26.65+13.93+2.55+3+13.30 = 59 OCCUPANTS
			OCCUPANT LOAD AT MAXIMUM 49 PER LETTER FROM TD BANK

PLUMBING FACILITIES PER FBPC SECTION 403

FIXTURE	REQUIRED	PROVIDED PER EXISTING
- WATER CLOSET	1 PER 25 FOR FIRST 50 AND 1 PER 50 FOR REMAINDER EXCEEDING 50	2
- LAVATORY	1 PER 40 FOR FIRST 80	2
- DRINKING FOUNTAIN		2 (HIGH/LOW)
- SERVICE SINK	1	1

EGRESS

DESCRIPTION	CODE REFERENCE	REQUIRED	PROPOSED
OTHER EGRESS WIDTH	: FBC TABLE 1019.1 & 1019.2	: W/ SPRINKLER 0.2"x39=7.8"	: 36" MIN, TOTAL EGRESS WIDTH 72"
NUMBER OF EXITS	: FBC TABLE 1019.1 & 1019.2	: 1 REQUIRED	: 1 EXIT PROVIDED
DOORWAY WIDTH	: FBC 1008.1.1	: 32" CLEAR MIN, 48" MAX FOR SWINGING DOOR	: 36" MIN, SWINGING DOOR LEAF
TRAVEL DISTANCE	: FBC TABLE 1019.2	: B OCCUPANCY W/ SPRINKLER 100' MAX (EXCEPTION D)	: 98' ACTUAL MAX
ACCESSIBLE ROUTE	: FBC 11-4.3	: 1 ROUTE MIN	: 100% ENTRY/EXIT, CHANGE IN LEVELS, CLEAR AREA DOORWAY APPROACH, FIXTURE CLEARANCES, 48" REACH, 48" CONTROL HEIGHTS, TELLER SPACE IN PLATFORM AREA

FIRE RESISTIVE SEPARATIONS

BUILDING STRUCTURE

DESCRIPTION	CODE REFERENCE	REQUIRED	PROPOSED
FRAME	: TABLE 601	: TYPE 1A = 3 HOURS	: EXISTING
EXT BEARING WALL	: TABLE 602	: TYPE 1A = 1 HOURS (X<=30')	: EXISTING
INT BEARING WALL	: TABLE 601	: TYPE 1A = 3 HOURS	: EXISTING
EXT NON-BEARING WALL	: TABLE 602	: TYPE 1A = 0 HOURS (X<=30')	: EXISTING
INT NON-BEARING WALL	: TABLE 601	: TYPE 1A = 0 HOURS	: EXISTING

INTERIOR WALL AND CEILING FINISH CLASSIFICATIONS

DESCRIPTION	CODE REFERENCE	REQUIRED	PROPOSED
EXIT ACCESS CORRIDORS	: TABLE 803.5	: CLASS "A"	: CLASS "A"
ROOMS AND ENCLOSED SPACES	: TABLE 803.5	: CLASS "C"	: CLASS "C"

HVAC AND PLUMBING NOTES

- NO CHANGES TO EXISTING MECHANICAL & PLUMBING SYSTEMS.

PROJECT SUMMARY

THIS PROJECT IS A MINOR RENOVATION OF 4,672 SF INTERIOR FIT-OUT TO EXISTING BRANCH BANK WITH PRIMARY BUSINESS OCCUPANCY CLASSIFICATION OF WORK ALTERATION LEVEL 1 PER FBC EXISTING BUILDING SECTION 602 IN A HISTORIC PRESERVATION BUILDING IN MIAMI SOUTH BEACH DISTRICT. BUILDING IS 4-STORY CONCRETE FRAME BUILDING STRUCTURE WITH MIXED OCCUPANCY AS PREVIOUSLY PERMITTED. THE LIFE SAFETY SYSTEMS INCLUDE: FIRE SPRINKLER SYSTEM, FIRE EXTINGUISHERS AND ANNUNCIATION SYSTEMS. ENERGY SYSTEMS INCLUDE: LIGHTING CONTROLS, OCCUPANCY SENSORS.

NOTE: SIGNAGE TO BE SUBMITTED UNDER SEPARATE PERMIT



8375 Dix Ellis Trail
 Building 600, Suite 105
 Jacksonville, FL 32256
 www.bergmannpc.com

TD BANK

LINCOLN RD

350 LINCOLN RD,
 MIAMI BEACH, FL 33139

Date Revised Description

06/23/2023 REVISION 1

PERMIT SET
03/30/2023

MICHELLE HIREZI DIEGAN, AIA
 LICENSE NUMBER: #A93351
 EXPIRATION DATE: 02/28/2025

Copyright © Bergmann Architectural Associates, Inc.

Project Manager	Discipline Lead
M DIEGAN	S WRASMAN
Designer	Reviewer
A MCINTYRE	M DIEGAN
Date Issued	Project Number
03/30/23	22007047A

Sheet Name

COVER SHEET

Drawing Number

T-001

ANSI D 2204

FOR REFERENCE ONLY

NOTE:
EXTERIOR SIGNAGE TO BE
SUBMITTED BY SIGNAGE VENDOR
UNDER SEPARATE PERMIT.



BERGMANN
An affiliate of Colliers Engineering & Design

8375 Dix Ellis Trail
Building 600, Suite 105
Jacksonville, FL 32256
www.bergmannpc.com

TD BANK

LINCOLN RD

350 LINCOLN RD,
MIAMI BEACH, FL 33139

Date Revised Description

PERMIT SET
03/30/2023

MICHELLE HIREZI DIEGAN, AIA
LICENSE NUMBER: #AR93361
EXPIRATION DATE: 02/28/2025

Copyright © Bergmann Architectural Associates, Inc.

Project Manager	Discipline Lead
M DIEGAN	S WRASMAN
Designer	Reviewer
A MCINTYRE	M DIEGAN
Date Issued	Project Number
03/30/23	22007047A

Sheet Name

CONCEPT SITE PLAN

Drawing Number

G-004

11/1/2023 12:43:02 PM

- EXISTING 22.4 SF TD SHIELD AT TOP OF BUILDING TO REMAIN
- INSTALL ILLUMINATED FINS, REFER TO A-201 & A-703
- REPLACE EXISTING TD LOCKUP & PROVIDE TD GREEN ARCHITECTURAL FINS (NORTH WALL)
- REPLACE EXISTING TD SHIELD WITH FLOATING CUBE SUSPENDED BELOW CANOPY (NORTHWEST WALL)
- INSTALL ILLUMINATED FINS, REFER TO A-201 & A-703
- REPLACE EXISTING TD LOCKUP & PROVIDE TD GREEN ARCHITECTURAL FINS (WEST WALL)
- EXISTING 22.4 SF TD SHIELD AT TOP OF BUILDING TO MATCH EXISTING



EXISTING SITE PLAN AND PROPOSED IMPROVEMENTS

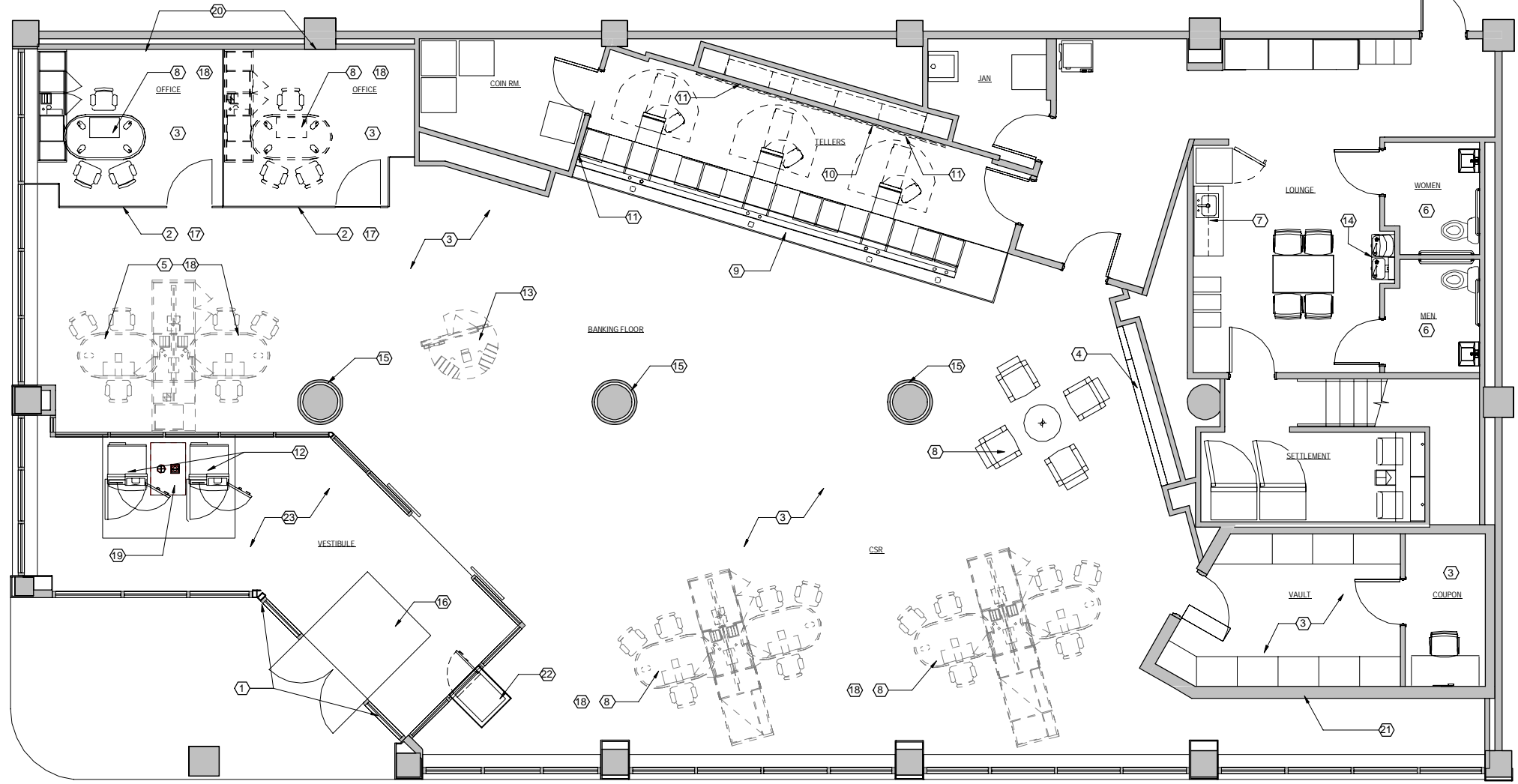
1 CONCEPT SITE PLAN
SCALE: 3" = 1'-0"



LANDLORD COORDINATION NOTE:
 G.C. TO CONFIRM PREMISES ARE DELIVERED BY LANDLORD FREE OF ALL PREVIOUS TENANT FIXTURES AND EQUIPMENT. BUILDING ENVELOPE TO BE WATER TIGHT AND STRUCTURALLY SOUND. ALL UTILITIES - ELECTRICAL, MECHANICAL AND HVAC TO BE IN GOOD WORKING ORDER.

- DEMOLITION NOTES:**
- 1 EXTERIOR STOREFRONT SYSTEM TO REMAIN.
 - 2 EXISTING INTERIOR PARTITION / GLASS PARTITION AT OFFICES TO REMAIN.
 - 3 DEMOLISH ALL INTERIOR FLOORING: CARPET, VCT, VINYLWOOD BASE AND CERAMIC FLOOR TILES. PREP FLOOR SLAB AND WALLS TO RECEIVE NEW FINISHES.
 - 4 EXISTING MURAL TO REMAIN.
 - 5 DEMOLISH EXISTING DESKS IN PREPARATION FOR NEW HARVEST TABLE.
 - 6 PLUMBING FIXTURES AND ACCESSORIES TO REMAIN PER EXISTING.
 - 7 EXISTING KITCHENETTE MILLWORK AND PLUMBING FIXTURES TO REMAIN.
 - 8 REMOVE EXISTING OFFICE DESKS.
 - 9 EXISTING GRANITE TELLER LINE AND BUILT-IN MILLWORK TO REMAIN. MILLWORK.
 - 10 DEMOLISH EXISTING TELLER LINE LOCKUP AND POWER WALL/PANEL/TRIM/WALLCOVERING.
 - 11 REMOVE EXISTING LCD SCREENS.
 - 12 REMOVE EXISTING ATMS.
 - 13 REMOVE EXISTING LCD SCREENS.
 - 14 EXISTING HIGH/LOW DRINKING FOUNTAIN TO REMAIN.
 - 15 EXISTING CHROME COLUMN COVERS TO REMAIN. CLEAN AND POLISH AS NEEDED.
 - 16 EXISTING SCRAPING MAT AT VESTIBULE TO REMAIN.
 - 17 REMOVE EXISTING VINYL FILM ON OFFICES GLASS AND CLEAN GLASS IN PREP TO RECEIVE NEW VINYL FILM PER TO DESIGN GUIDELINES. ADD ALTERNATE: PROVIDE NEW PRIVACY FILM PER TO DESIGN STANDARDS.
 - 18 REMOVE EXISTING EMPLOYEE TASK SEATING AND CUSTOMER SEATING.
 - 19 DEMOLISH EXISTING ATM MILLWORK.
 - 20 REMOVE EXISTING ARTWORK/SLICES OF LIFE.
 - 21 DEMO EXISTING LCD SCREEN, POWER & DATA AND GWB ON WALL.
 - 22 PAINT EXISTING GWB ENCLOSURE AT NIGHTDROP.
 - 23 REPLACE DAMAGED TILE ONLY NEAR INTERIOR VESTIBULE DOOR. ADD ALTERNATE: INSTALL NEW CT TILES TO REPLACE EXISTING. REFER TO A-106.

- GENERAL DEMOLITION NOTES:**
- A. G.C. TO COORDINATE AND ARRANGE FOR PRE-CONSTRUCTION PHASING COORDINATION MEETING PRIOR TO DEMOLITION START.
 - B. GC IS RESPONSIBLE TO COORDINATE WITH ALL VENDORS AND APPLICABLE TRADES TIMING AND SEQUENCE FOR WORK DEFINED WITHIN THE CONTRACT DOCUMENT SET AND IN ACCORDANCE WITH TD BANK MARKET REQUIREMENTS.
 - C. THESE DRAWINGS MAY NOT INDICATE THE FULL EXTENT OF THE WORK AND DETAILS REQUIRED TO COMPLETE THIS PROJECT. THE ARCHITECT HAS MADE ASSUMPTIONS BASED ON PREVIOUS DRAWINGS AND THE EXISTING CONDITIONS THAT WERE VISIBLE AT THE TIME OF SURVEY. G.C. IS TO VERIFY EXISTING CONDITIONS AND OVERALL DIMENSIONS FOR THE FULL EXTENT OF THE WORK REQUIRED TO COMPLETE THIS PROJECT IN A WORKMANLIKE MANNER PER ALL APPLICABLE CODES AND THESE DRAWINGS. COORDINATE WORK WITH THE TD PROJECT MANAGER PRIOR TO SUBMISSION OF BID.
 - D. DEMOLISH EXISTING CONSTRUCTION ONLY TO THE EXTENT NECESSARY TO COMPLETE THE NEW CONSTRUCTION. CUT BACK EXISTING FINISHED SURFACES TO SQUARE, LEVEL, AND PLUMB LINES.
 - E. CAREFULLY REVIEW PLANS AND DETERMINE UTILITIES THAT ARE REQUIRED TO BE DISCONNECTED AND THOSE THAT WILL REMAIN FUNCTIONAL. COORDINATE WORK WITH THE APPROPRIATE UTILITY PROVIDER. SCHEDULE WORK FOR A MINIMUM OF INTERRUPTION.
 - F. COORDINATE AND SECURE ALL GAS, PLUMBING, ELECTRICAL, AND OTHER UTILITIES ASSOCIATED WITH EQUIPMENT TO BE REMOVED AND OR INSTALLED ON SITE. INSTALL REQUIRED MATERIALS TO SECURE AND MAKE SAFE ALL UTILITIES TO REMAIN.
 - G. G.C. TO PREVENT PUBLIC ACCESS TO THE WORK AREA. INSTALL BARRIERS AND SIGNAGE SUFFICIENT TO ALERT THE GENERAL PUBLIC, EMPLOYEES, AND CONTRACTORS OF DANGERS.
 - H. CONTRACTOR SHALL BE RESPONSIBLE FOR OBTAINING WORK PERMITS AND COMMUNICATING WITH UTILITY PROVIDER(S) PRIOR TO ANY WORK AFFECTING SERVICES. FIELD VERIFY LOCATION OF ALL SERVICES. COORDINATE SCOPE WITH TD BANK CM.
 - I. ANY WALLS BEING PROPOSED FOR REMOVAL SHALL BE CONFIRMED BY THE CONTRACTOR AS BEING NON-LOAD BEARING BEFORE PROCEEDING WITH REMOVAL. IF LOAD-BEARING WALL(S) ARE FOUND DUE TO UNFORESEEN CONDITIONS, IT SHOULD BE BROUGHT DIRECTLY TO THE TD CONSTRUCTION MANAGERS ATTENTION BEFORE PROCEEDING WITH THE REMOVAL OF THAT WALL. NOTE: THE ARCHITECT HAS MADE ASSUMPTIONS BASED ON PREVIOUS DRAWINGS AND THE EXISTING CONDITIONS THAT ARE VISIBLE.
 - J. G.C. TO VERIFY ALL DIMENSIONS IN FIELD. G.C. SHALL REPORT ANY DEVIATIONS FROM THOSE NOTED IN THESE PLANS W/ TD AOR.
 - K. G.C. TO PROVIDE WATERPROOFING MEMBRANE BELOW GRADE PER MANUFACTURERS RECOMMENDATION AND IN COMPLIANCE FOR DRY FLOODPROOFING PER FEMA REQUIREMENTS, CHAPTER 7.
 - L. COVER WALLS, CARPET TILES AND MURAL WALL TO PROTECT PRIOR TO RESUMING WORK AND PAINTING.



1 DEMOLITION FLOOR PLAN
 SCALE: 1/4" = 1'-0"



8375 Dix Ellis Trail
 Building 600, Suite 105
 Jacksonville, FL 32256
 www.bergmannpc.com

TD BANK

LINCOLN RD

350 LINCOLN RD,
 MIAMI BEACH, FL 33139

Date Revised	Description

PERMIT SET
 03/30/2023

MICHELLE HIREZI DIEGAN, AIA
 LICENSE NUMBER: #A93361
 EXPIRATION DATE: 02/28/2025

Copyright © Bergmann Architectural Associates, Inc.

Project Manager	Discipline Lead
M DIEGAN	S WRASMAN
Designer	Reviewer
A MCINTYRE	M DIEGAN
Date Issued	Project Number
03/30/23	22007047A

Sheet Name

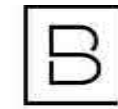
DEMOLITION FLOOR PLAN

Drawing Number

AD-101

ANSI D 2204

DEMOLITION NOTES:	
1	DEMO EXISTING TD SHIELD ABOVE ENTRANCE CANOPY. REPAIR/ PATCH UP ROOF AS REQUIRED.
2	DEMO EXISTING TD LOCKUPS. PATCH UP/ REPAIR WALL AS REQUIRED.



BERGMANN
An affiliate of Colliers Engineering & Design

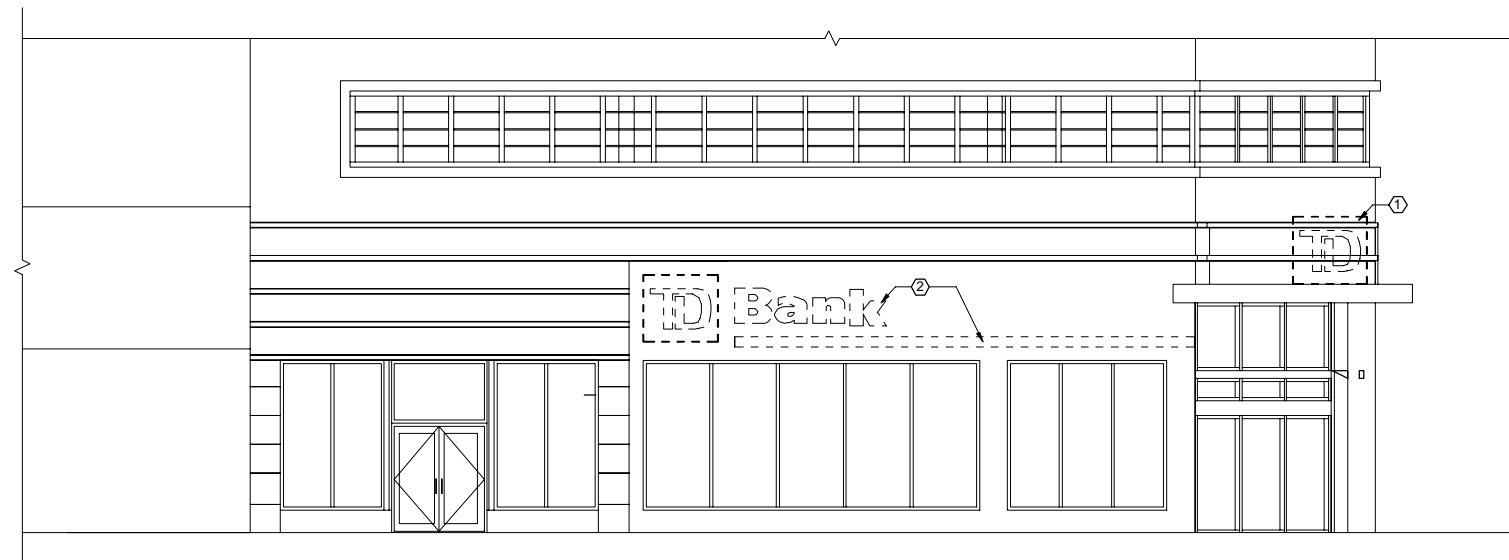
8375 Dix Ellis Trail
Building 600, Suite 105
Jacksonville, FL 32256
www.bergmannpc.com

TD BANK

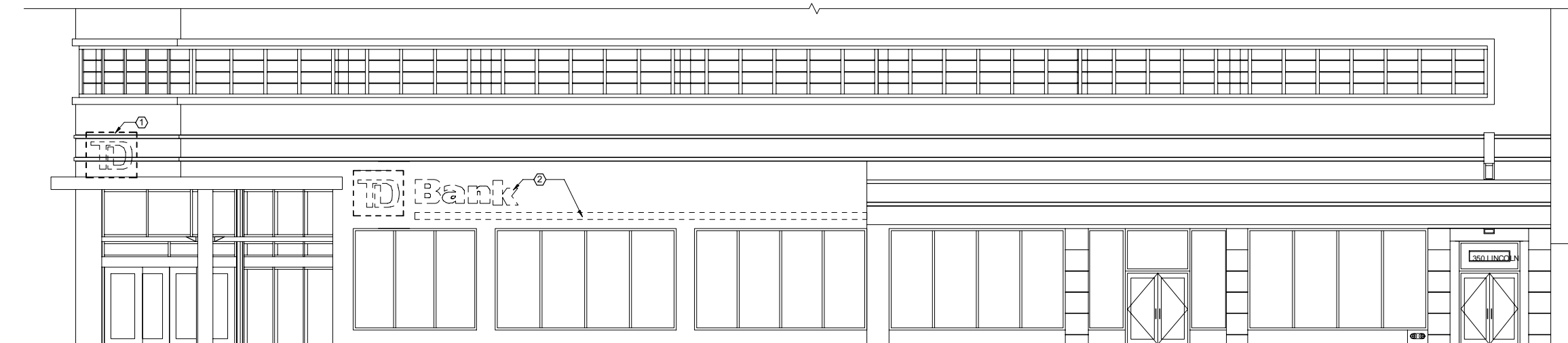
LINCOLN RD

350 LINCOLN RD,
MIAMI BEACH, FL 33139

Date Revised	Description



1 NORTH ELEVATION
SCALE : 3/16" = 1'-0"



2 WEST ELEVATION
SCALE : 3/16" = 1'-0"

PERMIT SET
03/30/2023

MICHELLE HIREZI DIEGAN, AIA
LICENSE NUMBER: #A93351
EXPIRATION DATE: 02/28/2025

Copyright © Bergmann Architectural Associates, Inc.

Project Manager	Discipline Lead
M DIEGAN	S WRASMAN
Designer	Reviewer
A MCINTYRE	M DIEGAN
Date Issued	Project Number
03/30/23	22007047A

Sheet Name

EXTERIOR DEMOLITION

Drawing Number

AD-201

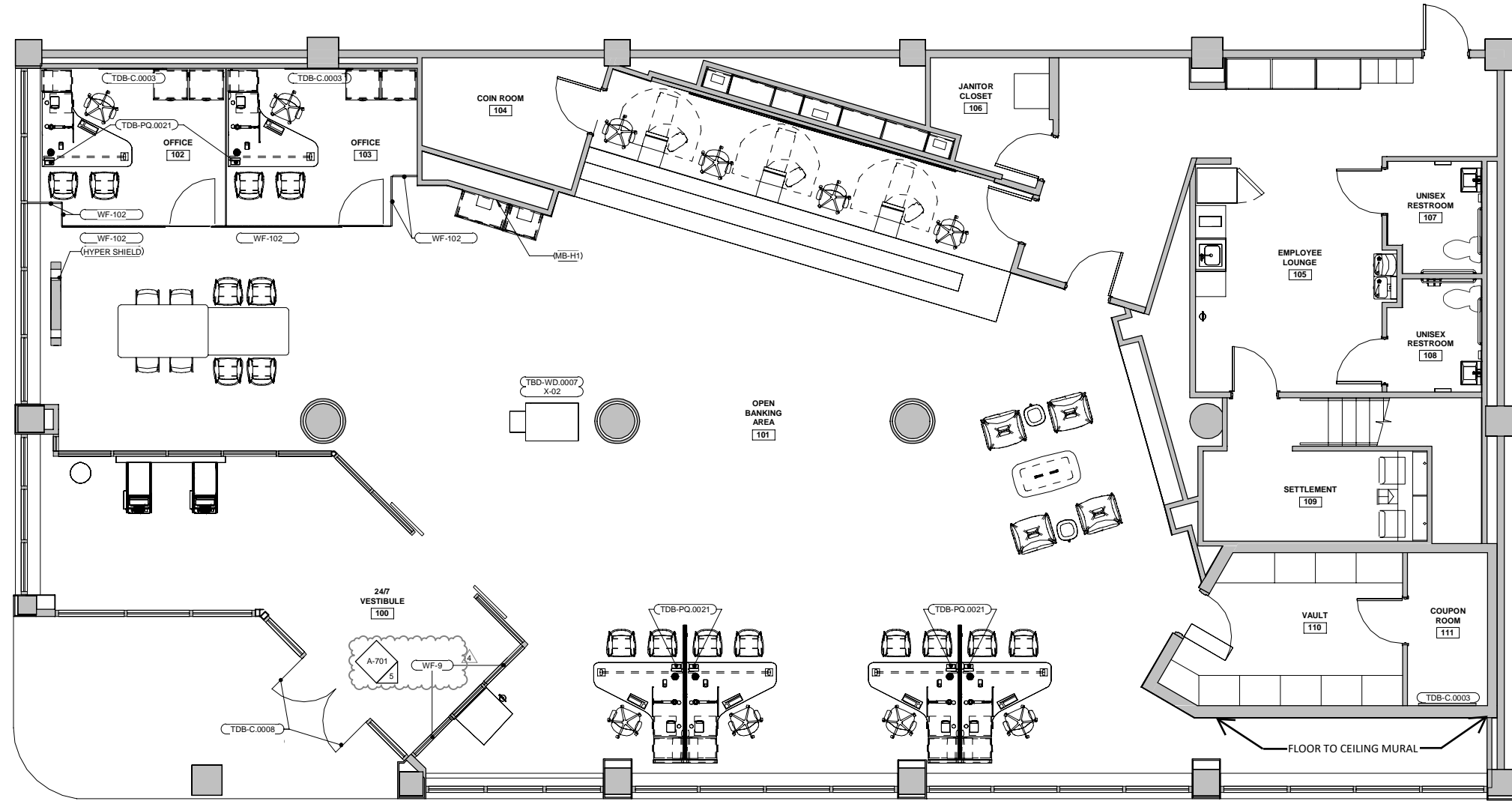
11/1/2023 12:43:02 PM

ANSI D 2204

11/1/2023 12:42:54 PM

MERCHANDISING & SIGNAGE SCHEDULE	
TAG NO	ITEM DESCRIPTION
TD-AMCB-DD	VINYL AMCB TEXT MESSAGE
TDB-C.0003	SLICE OF LIFE ARTWORK BY COLOR REFLECTIONS; FINAL SIZE & IMAGE TBD; CENTER ON WALL OVERALL
TDB-C.0008	(2) PAIRS OF TD DOOR PULLS
TDB-PQ.0021	FDIC PLAQUE (SMALL)
TDB-WD.0007	TRASH RECYCLE WOOD SIGN
WF-102	PRIVACY VINYL AT GLASS WALL; INSTALL AT 5'-8" TO T.O. VINYL A.F.F.
X-02	DOUBLE SIDED CHECK SLIP HOLDER
MB-H1	ONE PIECE HORIZONTAL MENU BOARD
WF-9	SOLID TD GREEN VINYL FILM

GENERAL SIGNAGE NOTE:
 PROVIDE SIGNS ADJACENT TO EACH DOOR TO AN AREA OF REFUGE AND PASSAGEWAYS TO EXIT DOORS AND EXIT DISCHARGE WITH RAISED CHARACTERS AND BRAILLE STATING "EXIT" COMPLYING WITH FBC ACCESSIBILITY.



1 MERCHANDISING & SIGNAGE PLAN
 SCALE: 1/4" = 1'-0"



8375 Dix Ellis Trail
 Building 600, Suite 105
 Jacksonville, FL 32256
 www.bergmannrpc.com

TD BANK

LINCOLN RD

350 LINCOLN RD,
 MIAMI BEACH, FL 33139

Date Revised	Description
06/23/2023	REVISION 1
08/25/2023	REVISION 2
09/14/2023	REVISION 3
11/02/2023	REVISION 4

PERMIT SET
 03/30/2023

MICHELLE HIREZI DIEGAN, AIA
 LICENSE NUMBER: #A93351
 EXPIRATION DATE: 02/28/2025

Copyright © Bergmann Architectural Associates, Inc.

Project Manager	Discipline Lead
M DIEGAN	S WRASMAN
Designer	Reviewer
A MCINTYRE	M DIEGAN
Date Issued	Project Number
03/30/23	22007047A

Sheet Name

MERCHANDISING AND
 SIGNAGE PLAN

Drawing Number

A-108



ANSI D 224.4

11/21/2023 9:51:54 AM

- EXTERIOR ELEVATION NOTES:**
1. INSTALL NEW INTERNALLY ILLUMINATED TD CUBE AND TD SIGNAGE UP TO BE PROVIDED BY ATLAS (SIGNAGE VENDOR), APPROX. DIM. PER SIDE: 33.52"x30" (WxH).
 2. INSTALL GREEN LINEAR LIGHTING ABOVE CANOPY: BASIS OF DESIGN NOVE FLEX TAPE.
 3. POWER WASH EXTERIOR BUILDING FACADE.
 4. TD HYPERSHIELD
 5. CUSTOM LINCOLN ROAD MURAL.

GENERAL NOTE: SIGNAGE TO BE SUBMITTED ON A SEPARATE PERMIT

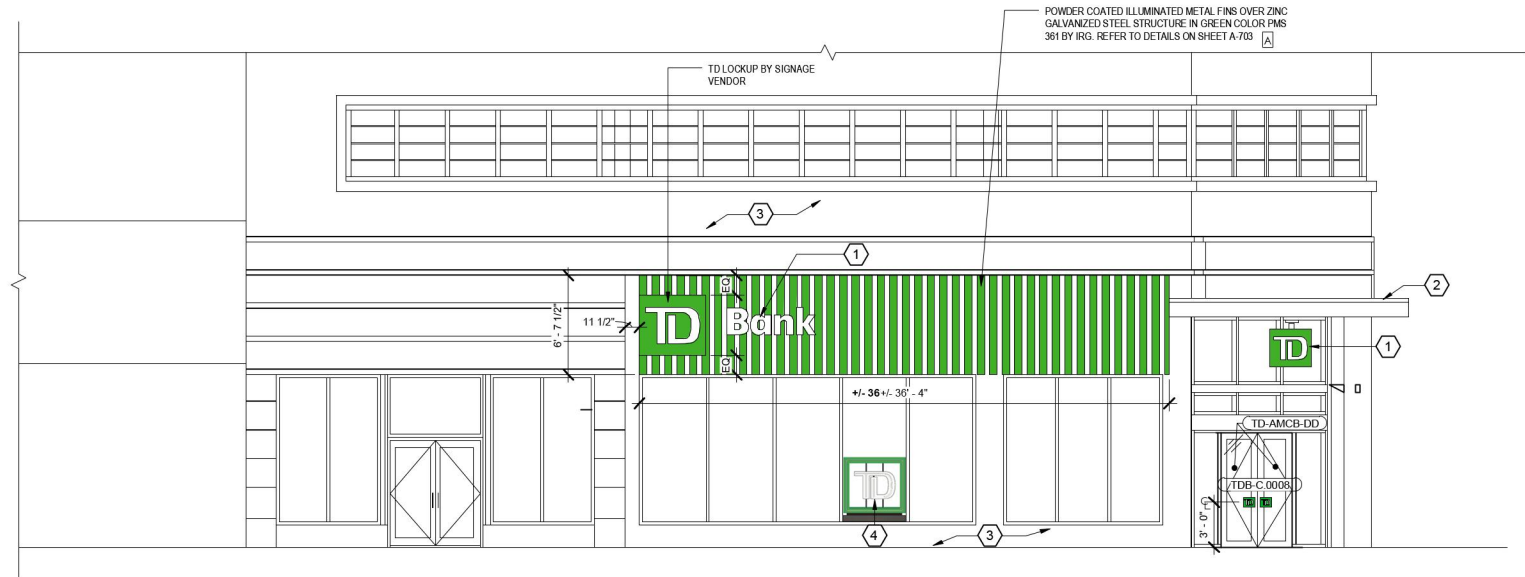
NOTE: SEE SHEET A-109 FOR TD SHIELD TAGS & SIZES

GENERAL NOTES

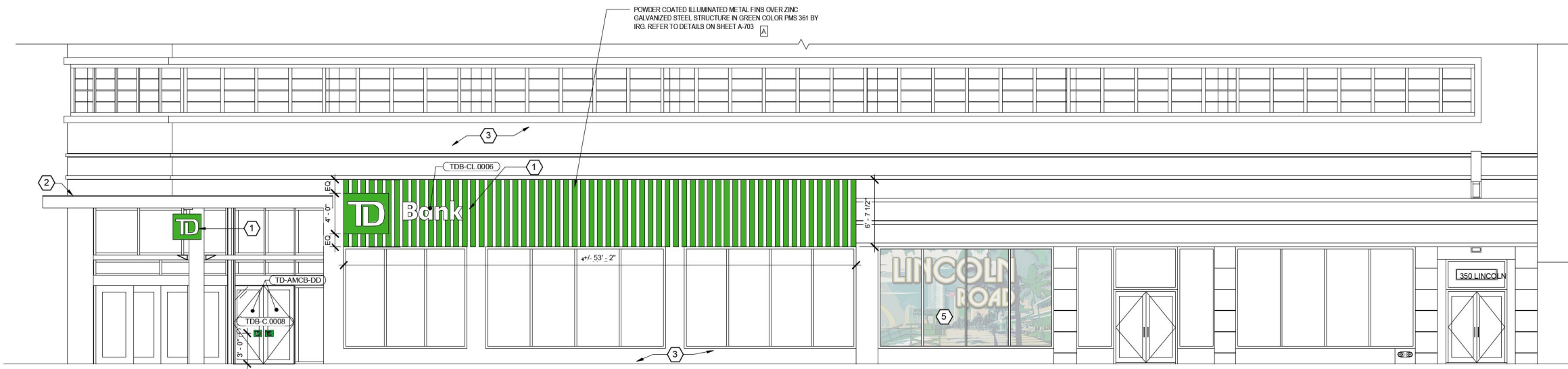
1. GC TO COORDINATE WITH SIGNAGE CONTRACTOR AND CORPORATE ARCHITECT FOR SIGNAGE REQUIREMENTS, LOCATIONS, TYPES, AND DETAILS. REFER TO SIGNAGE DOCUMENT FOR TYPICAL INFORMATION. GC TO COORDINATE BLOCKING FOR SIGNAGE WITH SIGNAGE VENDOR.
2. REFER TO SHEET A-101 FOR EXACT LOCATIONS OF BOLLARDS.
3. SIGNAGE SHOWN CONTAINS MAXIMUM SIGNAGE OPTIONS FROM SIGN STANDARDS AND LATEST ZONING APPROVALS.
4. GC TO PROVIDE ALL EXTERIOR LIGHTING. REFER TO A-104 FOR FIXTURE TYPES AND ADDITIONAL INFORMATION. COORD. WITH ELEC. DWGS.

EXTERIOR PAINT LEGEND

A [Green Box] GREEN PMS361



1 NORTH ELEVATION (DEMOLITION)
SCALE: 3/16" = 1'-0"



2 WEST ELEVATION (DEMOLITION)
SCALE: 3/16" = 1'-0"



8375 Dix Ellis Trail
Building 600, Suite 105
Jacksonville, FL 32256
www.bergmannrpc.com

TD BANK

LINCOLN RD

350 LINCOLN RD,
MIAMI BEACH, FL 33139

Date Revised	Description
06/23/2023	REVISION 1

PERMIT SET
03/30/2023

MICHELLE HIREZI DIEGAN, AIA
LICENSE NUMBER: #AR93351
EXPIRATION DATE: 02/28/2025

Copyright © Bergmann Architectural Associates, Inc.

Project Manager	Discipline Lead
M DIEGAN	S WRASMAN
Designer	Reviewer
A MCINTYRE	M DIEGAN
Date Issued	Project Number
03/30/23	22007047A

Sheet Name

EXTERIOR ELEVATIONS

Drawing Number

A-201

TD

350 Lincoln Rd
Miami Beach, FL

SO 148100

Created: 02.16.2023

Revised: 03.31.2023

05.17.2023

10.20.2023

10.27.2023



National Headquarters: 1077 West Blue Heron Blvd.
West Palm Beach, Florida 33404
800.772.7932
www.atlasbtw.com

Site Plan and Code

Code

Wall Signs:

Maximum area calculation: 0.75 square feet for every foot of linear frontage, with a minimum of 15 square feet permissible, regardless of linear frontage. Maximum area Max.: 100 square feet

Sign	Proposed Sign	Qty	SQ FT
S01	IL Cabinet w/ Channel Letters	1	56.32
S02	IL Cabinet w/ Channel Letters	1	56.32
S03	Existing Wall Cabinet	1	22.4
S04	Existing Wall Cabinet	1	22.4
S05	IL Cube Sign	1	11.2
S06	Door Vinyl	1	-

Notes

-



Revisions:	
...	...
...	...
...	...
...	...
...	...
...	...

PM: SJP	Address: 350 Lincoln Rd
Drawn By: TLD	City State: Miami Beach, FL
Date: 02.16.2023	Drawing Number: 148100

Face Lit Channel Letters

Action:

- Remove Existing Letterset. Patch, repair, and paint area.
- Manufacture and install (1) face lit channel letterset.

Description:

- TD Shield construction to be aluminum returns with white acrylic faces secured with trimcap. Vinyl to be applied to logo faces with TD Copy to be exposed face material.
- Letterset and logo cabinet to be illuminated with white LEDs.
- Logo to be mounted with non corrosive fasteners.
- Letters to be mounted with nylon spacers.
- Letterset to be mounted on face of architectural features. Provided by others.

Material & Color:

- Logo Vinyl: 3M 3630-5741 Light Green Translucent Vinyl (First Surface)
- Entire Logo face and letters to be laminated with 3M 3660M
- Logo Returns: MP65220 R165605 TD Light Green (Satin Finish)
- Logo Trim Cap: MP65220 R165605 TD Light Green (Satin Finish)
- Logo and Letter Faces: 7328 White Acrylic
- Logo and Letters Illumination: White LED
- Letter Trim Cap: 1" White
- Letter Returns: Precoat White



Night Composite



Existing Conditions



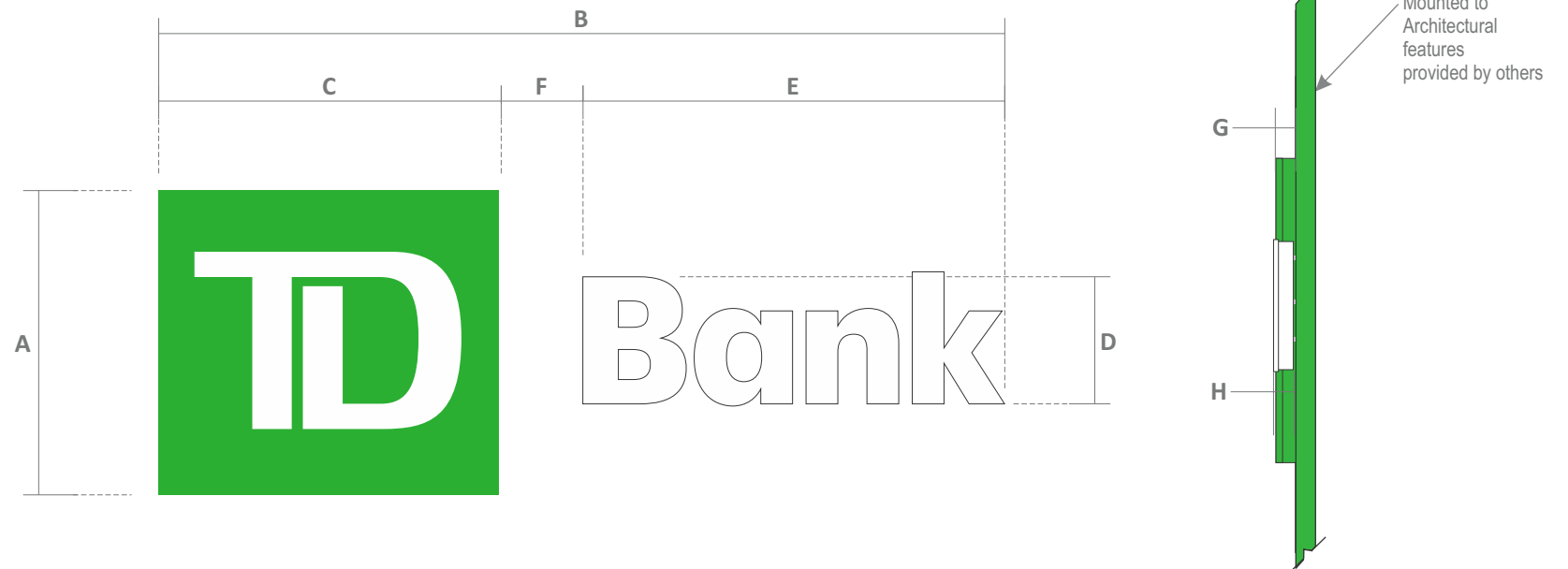
Proposed

Code:

Maximum area calculation: 0.75 square feet for every foot of linear frontage, with a minimum of 15 square feet permissible, regardless of linear frontage. Maximum area Max.: 100 square feet

Existing Sign: 61.76 Sq Ft

Signs to have timed animated illumination creating motion



Sign Type	Part Number	A	B	C	D	E	F	G	H	Sq. Ft. (4 Line) A x B
TDB-CL.0032	TDB-CL-RMT-W-54	4'-6"	12'-6 3/16"	5'-0 3/8"	1'-10 9/16"	6'-2 13/16"	1'-2 7/8"	3"	3"	56.32



National Headquarters: 1077 West Blue Heron Blvd.
West Palm Beach, Florida 33404
800.772.7932
www.atlasbtw.com

Revisions:	
Revised Letterset 03.31.2023 TLD	...
...	...
...	...
...	...
...	...

S01

PM: SJP	Address: 350 Lincoln Rd
Drawn By: TLD	City State: Miami Beach, FL
Date: 02.16.2023	Drawing Number: 148100

Face Lit Channel Letters

Action:

- Remove Existing Letterset. Patch, repair, and paint area.
- Manufacture and install (1) face lit channel letterset.

Description:

- TD Shield construction to be aluminum returns with white acrylic faces secured with trimcap. Vinyl to be applied to logo faces with TD Copy to be exposed face material.
- Letterset and logo cabinet to be illuminated with white LEDs.
- Logo to be mounted with non corrosive fasteners.
- Letters to be mounted with nylon spacers.
- Letterset to be mounted on face of architectural features. Provided by others.

Material & Color:

- Logo Vinyl: 3M 3630-5741 Light Green Translucent Vinyl (First Surface)
- Entire Logo face and letters to be laminated with 3M 3660M
- Logo Returns: MP65220 R165605 TD Light Green (Satin Finish)
- Logo Trim Cap: MP65220 R165605 TD Light Green (Satin Finish)
- Logo and Letter Faces: 7328 White Acrylic
- Logo and Letters Illumination: White LED
- Letter Trim Cap: 1" White
- Letter Returns: Precoat White



Night Composite



Existing Conditions



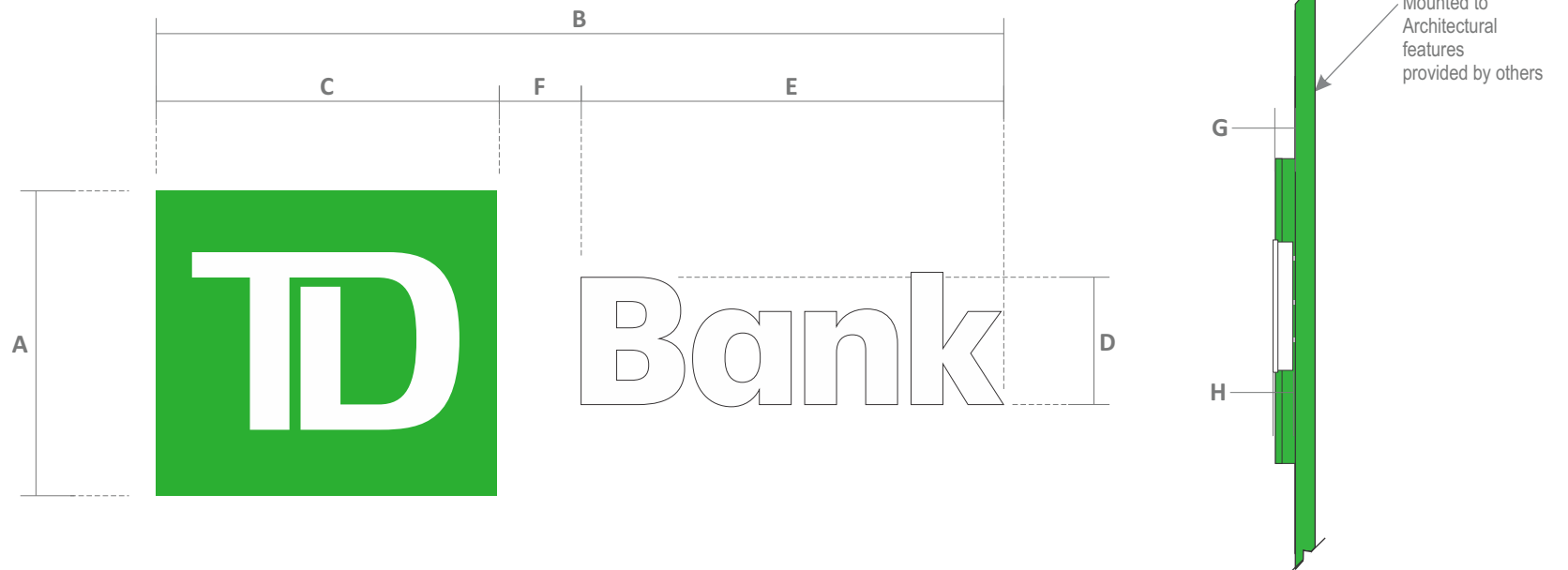
Proposed

Code:

Maximum area calculation: 0.75 square feet for every foot of linear frontage, with a minimum of 15 square feet permissible, regardless of linear frontage. Maximum area Max.: 100 square feet

Existing Sign: 61.76 Sq Ft

Signs to have timed animated illumination creating motion



Sign Type	Part Number	A	B	C	D	E	F	G	H	Sq. Ft. (4 Line) A x B
TDB-CL.0032	TDB-CL-RMT-W-54	4'-6"	12'-6 3/16"	5'-0 3/8"	1'-10 9/16"	6'-2 13/16"	1'-2 7/8"	3"	3"	56.32



National Headquarters: 1077 West Blue Heron Blvd.
West Palm Beach, Florida 33404
800.772.7932
www.atlasbtw.com

Revisions:	
Revised Letterset 03.31.2023 TLD	...
...	...
...	...
...	...
...	...

S02

PM: SJP	Address: 350 Lincoln Rd
Drawn By: TLD	City State: Miami Beach, FL
Date: 02.16.2023	Drawing Number: 148100



National Headquarters: 1077 West Blue Heron Blvd.
 West Palm Beach, Florida 33404
 800.772.7932
 www.atlasbtw.com

Revisions:	
...	...
...	...
...	...
...	...
...	...

-

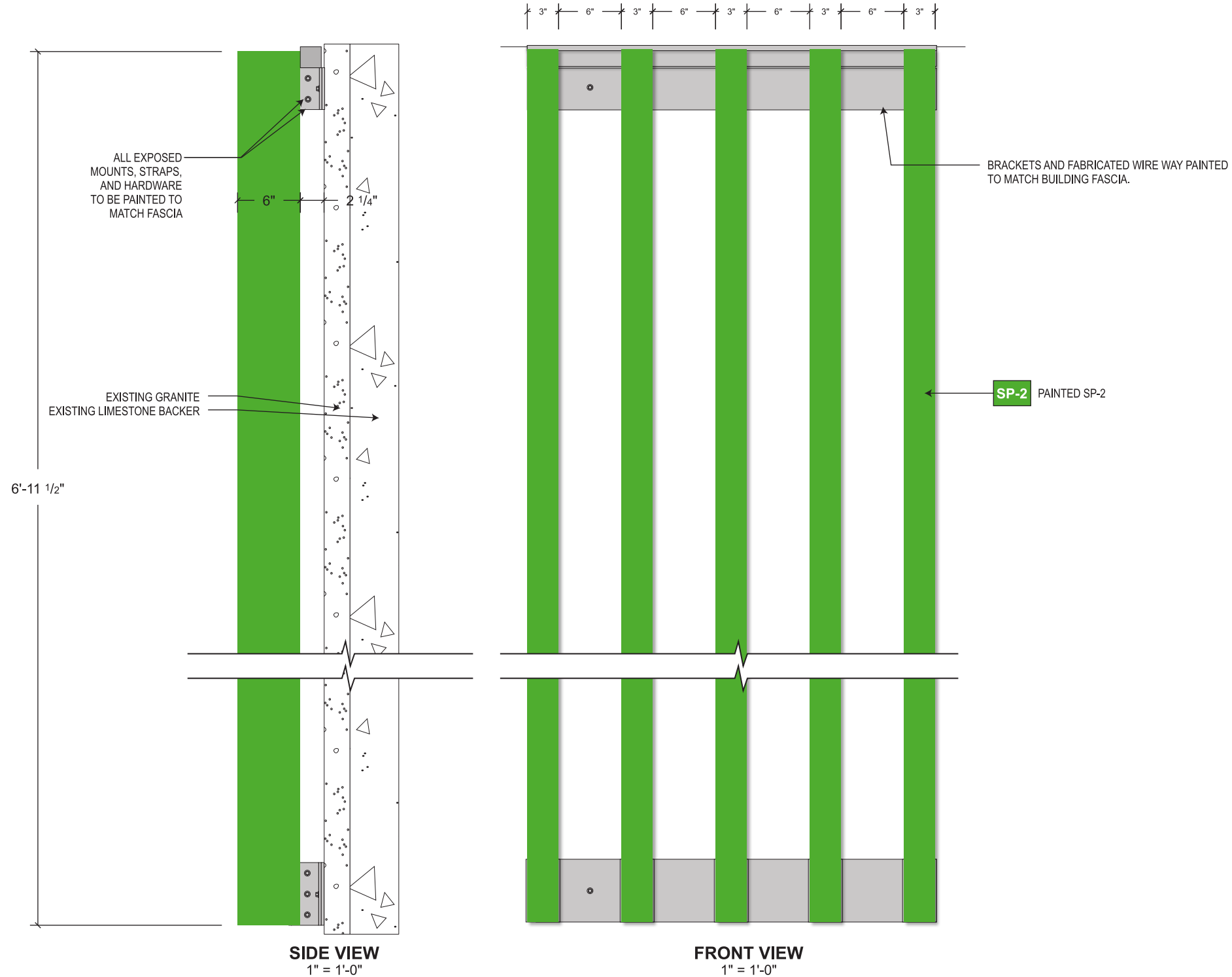
PM: SJP	Address: 350 Lincoln Rd
Drawn By: TLD	City State: Miami Beach, FL
Date: 02.16.2023	Drawing Number: 148100

TDB-FINS

210.49 sq.ft
841-11 1/2 lf.

Signage Description

HALO ILLUMINATED TD GREEN FINS.



COLOR SCHEDULE	
Matthews TD Light Green Paint #MP65220 Ver 1.3 (Satin Finish)	SP-2
Matthews Paint Gray Epoxy Primer # 274528SP	SP-8

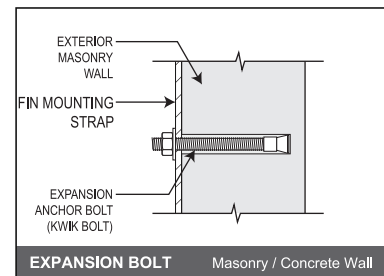
Electrical Specifications

Power SUPPLIES: _____ 60W Power Supply
 AMPS: _____ Total AMPS
 Circuits: _____ 20 Amp Circuit
 Volts: _____ 120 Volts _____ 277 Volts

- ALL ELECTRICAL COMPONENTS ARE TO BE U.L. LISTED AND APPROVED AS PER NEC.5 2011
- ALL TRANSFORMERS GROUND FAULT PROTECTED & COMPLY WITH NEC-600-23
- ALL SECONDARY WIRING INSIDE SIGN IS TO BE HIGH TENSION GTO AS PER NEC-600-31
- ALL PRIMARY WIRING TO BE #12 THWN AS PER NEC-60-5
- GROUNDING AND BONDING AS PER NEC 250
- INSTALLATION WILL COMPLY WITH ALL OF THE REQUIREMENTS OF NEC 600 & FBC.505.2.4 SIGNS WILL BE CONTROLLED BY A PHOTOCELL OR ASTRONOMICAL TIME CLOCK.



Typical Sign Connection Details



EXPANSION BOLT	
Bolt Diameter:	3/8"
Qty :	52
Min. Embed:	1 3/4"

See Page 4 for placement and qty per elevation break down

Connection Specifications:

Attach Fins to Wall with Connectors. See Engineered sealed drawings for Complete Specifications. Do Not Overtighten Connectors. Use Oversized Washer Backers for Thru Wall Connectors.

IMAGE RESOURCE GROUP
BRINGING DESIGN TO REALITY

130 PINNACLE POINT CT., SUITE 101
COLUMBIA, SC 29223
PHONE: 803-790-2121
FAX: 803-790-2125
www.imageresourcegroup.com

THIS IS AN UNPUBLISHED DESIGN OFFERED BY IRG, INC.. IT IS SUBMITTED FOR YOUR PERSONAL USE IN CONNECTION WITH THE PROJECT PLANNED FOR YOU BY IRG, INC.. IT IS NOT TO BE SHOWN TO ANYONE OUTSIDE OF YOUR ORGANIZATION NOR IS IT TO BE USED, REPRODUCED, COPIED, OR EXHIBITED IN ANY FASHION WHATSOEVER. ALL OR ANY PART OF THIS DESIGN (EXCEPTING REGISTERED TRADEMARKS) REMAINS THE PROPERTY OF IRG, INC.

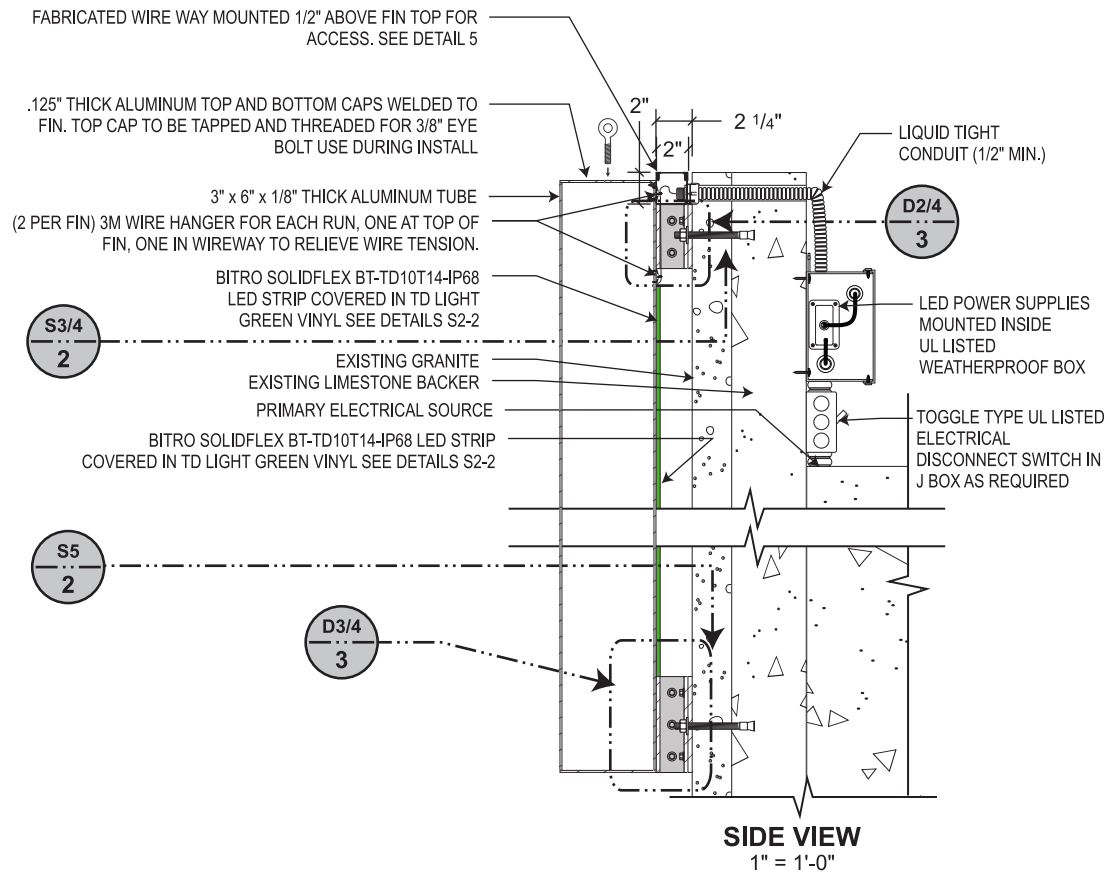
CLIENT:	TD Bank
LOCATION:	350 Lincoln Road, Miami Beach, FL
DRAFTED BY:	RKN
PROJECT MANAGER:	WHANCE

REVISIONS:
10-25-23 RKN Added attachment details | 10-26-23 RKN Added existing wall detail.

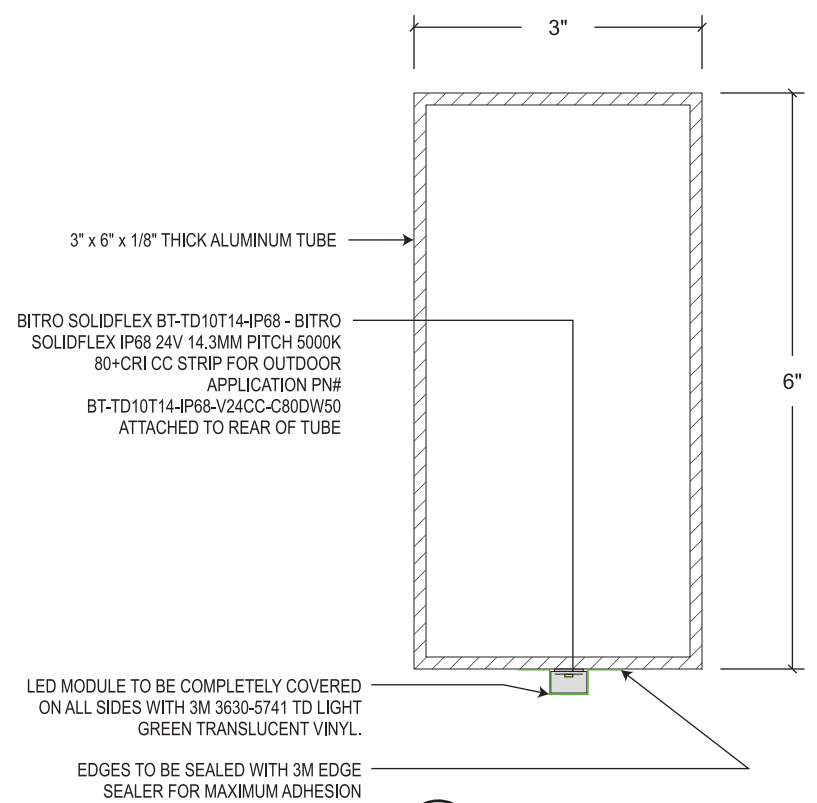
DRAWING NUMBER:		TDB-FINS
SHEET:	1	OF: 7
DATE:	03-29-23	PAGE: 1

TDB-FINS

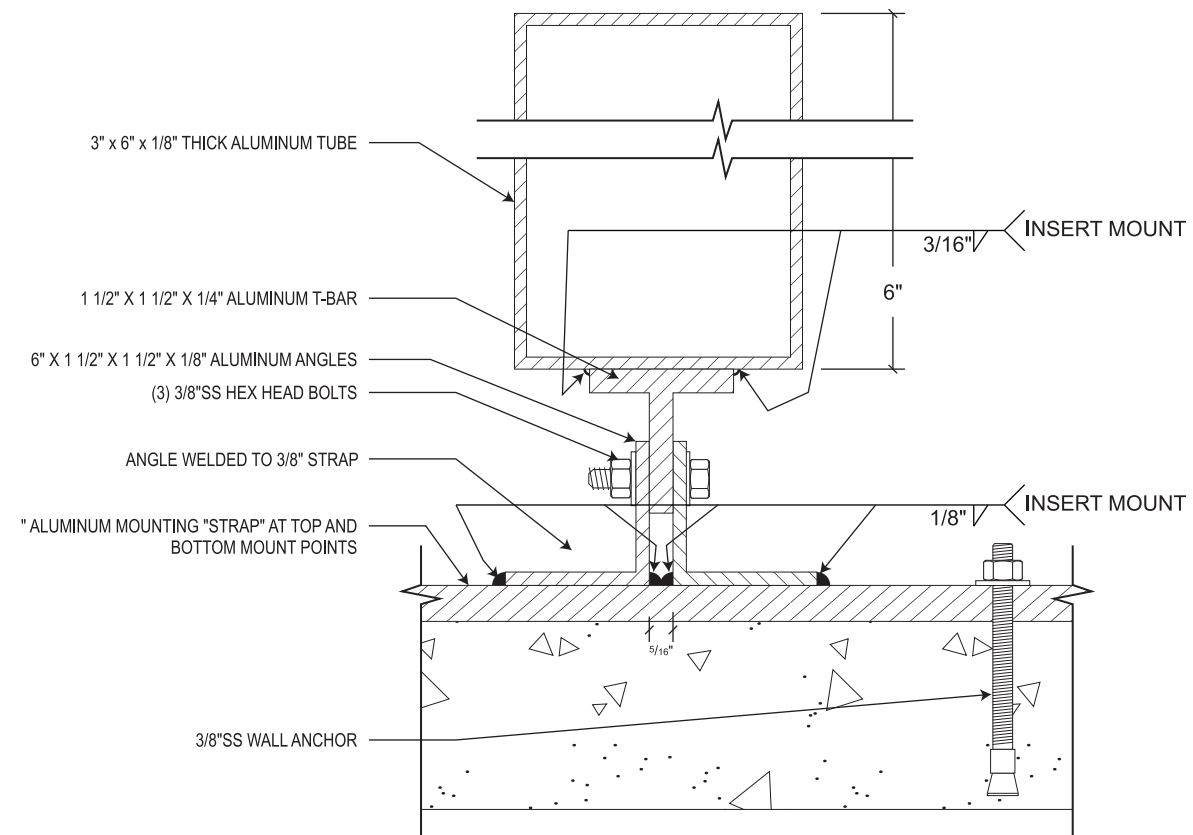
210.49 sq.ft
841-11 1/2 lf.



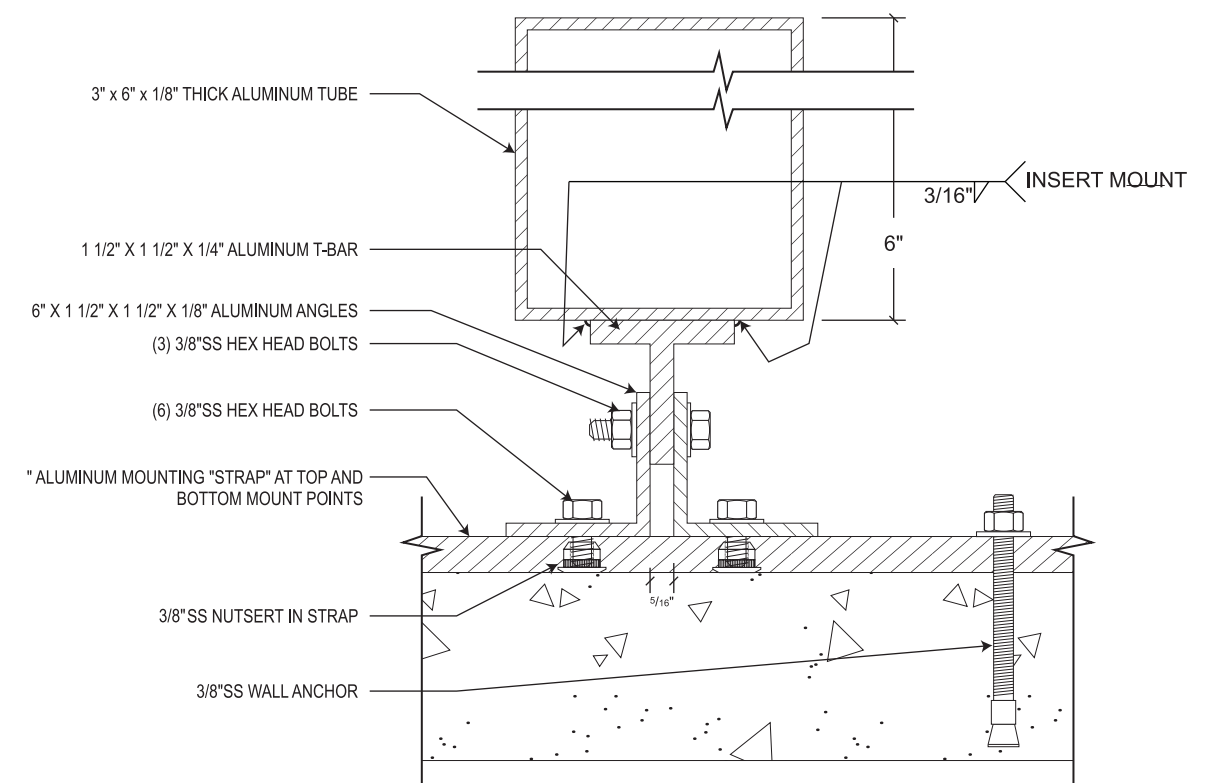
S1 **DETAIL: Fin Section Greater than 5'-0" Tall**
6" = 1'-0"



S5 **DETAIL: Top View**
6" = 1'-0"



S3 **DETAIL: Welded Strap Mount**
6" = 1'-0"



S4 **DETAIL: Bolt Strap Mount**
6" = 1'-0"



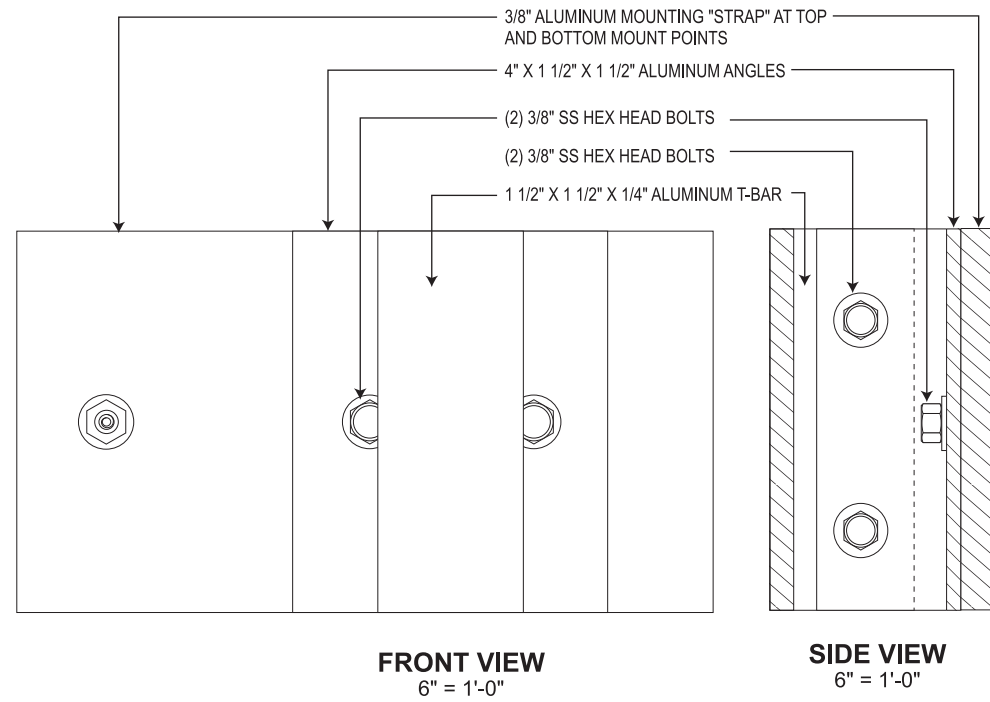
130 PINNACLE POINT CT., SUITE 101
COLUMBIA, SC 29223
PHONE: 803-790-2121
FAX: 803-790-2125
www.imageresourcegroup.com

THIS IS AN UNPUBLISHED DESIGN OFFERED BY IRG, INC.. IT IS SUBMITTED FOR YOUR PERSONAL USE IN CONNECTION WITH THE PROJECT PLANNED FOR YOU BY IRG, INC.. IT IS NOT TO BE SHOWN TO ANYONE OUTSIDE OF YOUR ORGANIZATION NOR IS IT TO BE USED, REPRODUCED, COPIED, OR EXHIBITED IN ANY FASHION WHATSOEVER, ALL OR ANY PART OF THIS DESIGN (EXCEPTING REGISTERED TRADEMARKS) REMAINS THE PROPERTY OF IRG, INC.

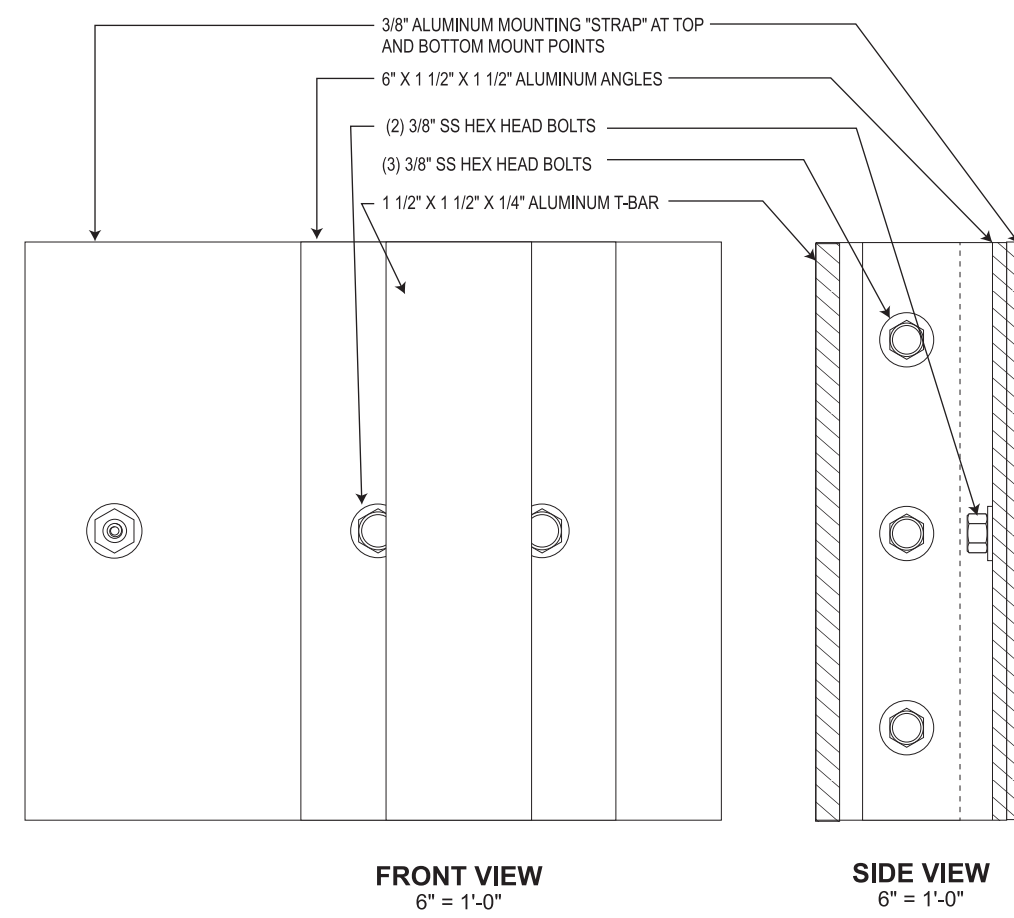
CLIENT:	TD Bank
LOCATION:	350 Lincoln Road, Miami Beach, FL
DRAFTED BY:	RKN
PROJECT MANAGER:	WHANCE

REVISIONS:
10-25-23 RKN Added attachment details | 10-26-23 RKN Added existing wall detail.

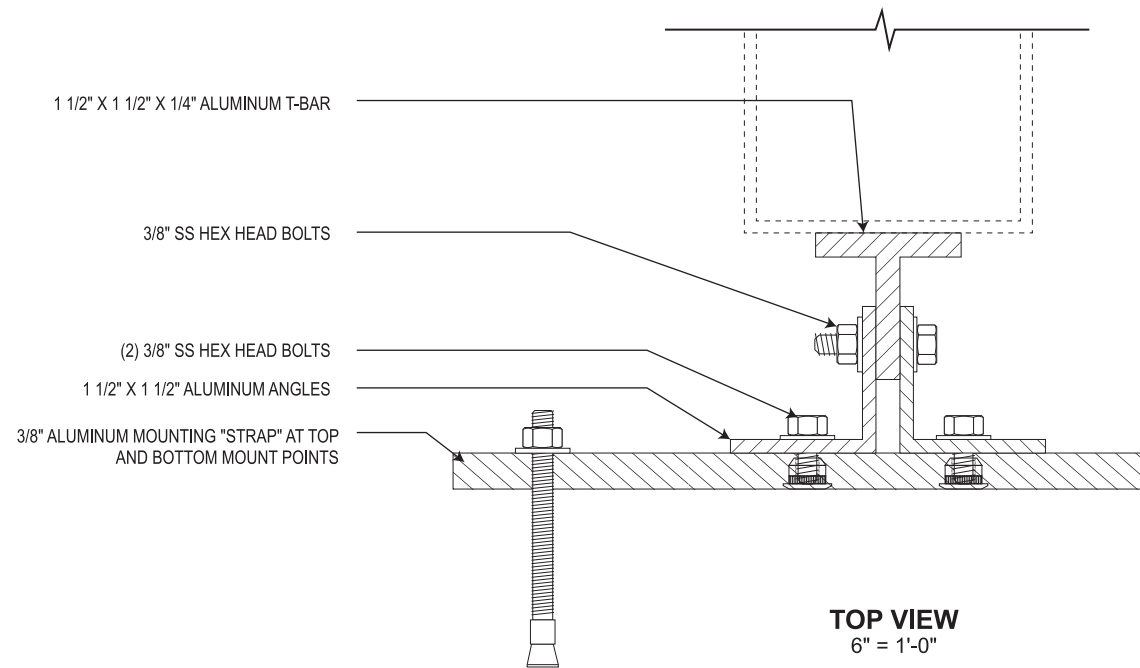
DRAWING NUMBER:		TDB-FINS
SHEET:	2	OF: 7
DATE:	03-29-23	PAGE: 2



D2 DETAIL: 4" Mounting Bracket Side and Front View
6" = 1'-0"



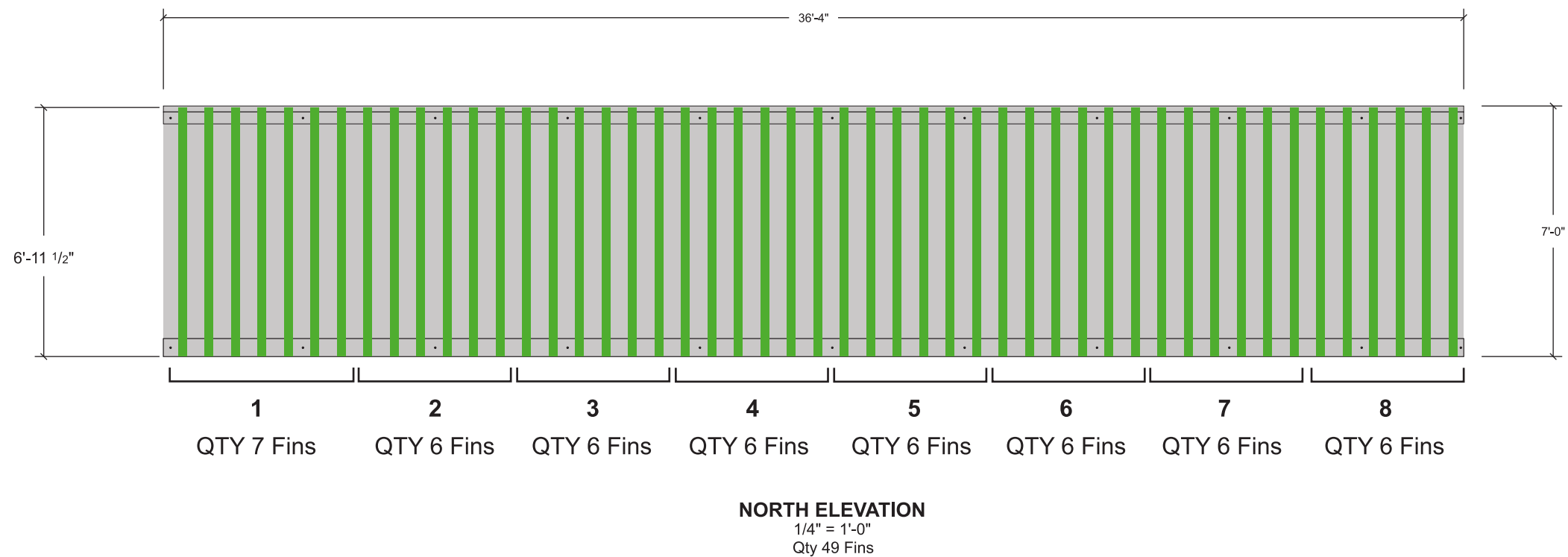
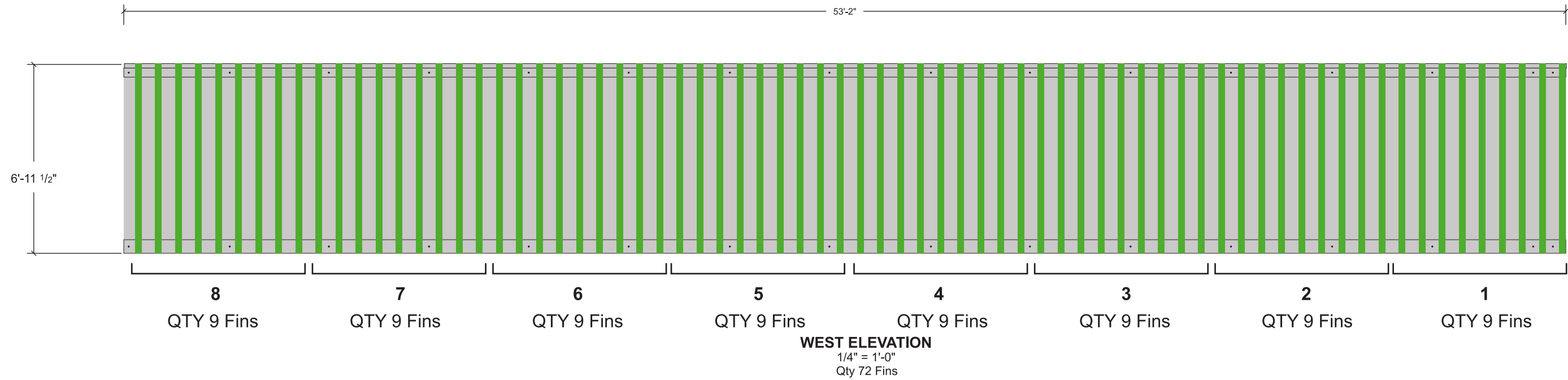
D3 DETAIL: 6" Mounting Bracket Side and Front View
6" = 1'-0"



D4 DETAIL: Mounting Bracket Top View Typ
6" = 1'-0"

LIGHTING SCHEME

LIGHTING SCHEME: Fins will light at the same time on both elevations in 8 steps. North elevation, a qty of 6 fins (7 on the final grouping) will light, while a qty of 9 fins per section on the West Elevation will light. These will be programmed so the farthest groups from the entrance will light on both elevations at the same time, and drive the illumination towards the entrance.



130 PINNACLE POINT CT., SUITE 101
COLUMBIA, SC 29223
PHONE: 803-790-2121
FAX: 803-790-2125
www.imageresourcegroup.com

THIS IS AN UNPUBLISHED DESIGN OFFERED BY IRG, INC.. IT IS SUBMITTED FOR YOUR PERSONAL USE IN CONNECTION WITH THE PROJECT PLANNED FOR YOU BY IRG, INC.. IT IS NOT TO BE SHOWN TO ANYONE OUTSIDE OF YOUR ORGANIZATION NOR IS IT TO BE USED, REPRODUCED, COPIED, OR EXHIBITED IN ANY FASHION WHATSOEVER. ALL OR ANY PART OF THIS DESIGN (EXCEPTING REGISTERED TRADEMARKS) REMAINS THE PROPERTY OF IRG, INC.

CLIENT:	TD Bank
LOCATION:	350 Lincoln Road, Miami Beach, FL
DRAFTED BY:	RKN
PROJECT MANAGER:	WHANCE

REVISIONS:	10-25-23 RKN Added attachment details 10-26-23 RKN Added existing wall detail.
------------	--

DRAWING NUMBER:		TDB-FINS
SHEET:	5	OF: 7
DATE:	03-29-23	PAGE: 5

TDB-FINS

DMX Animated Light Wiring Scheme

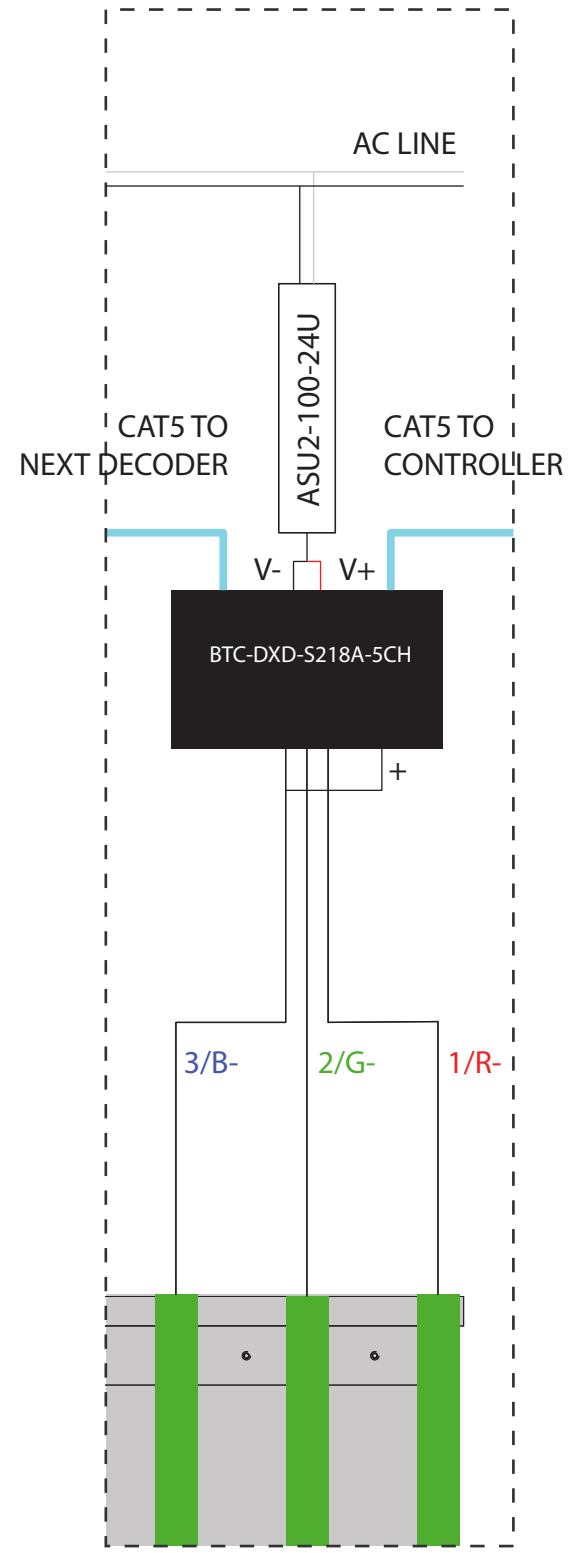
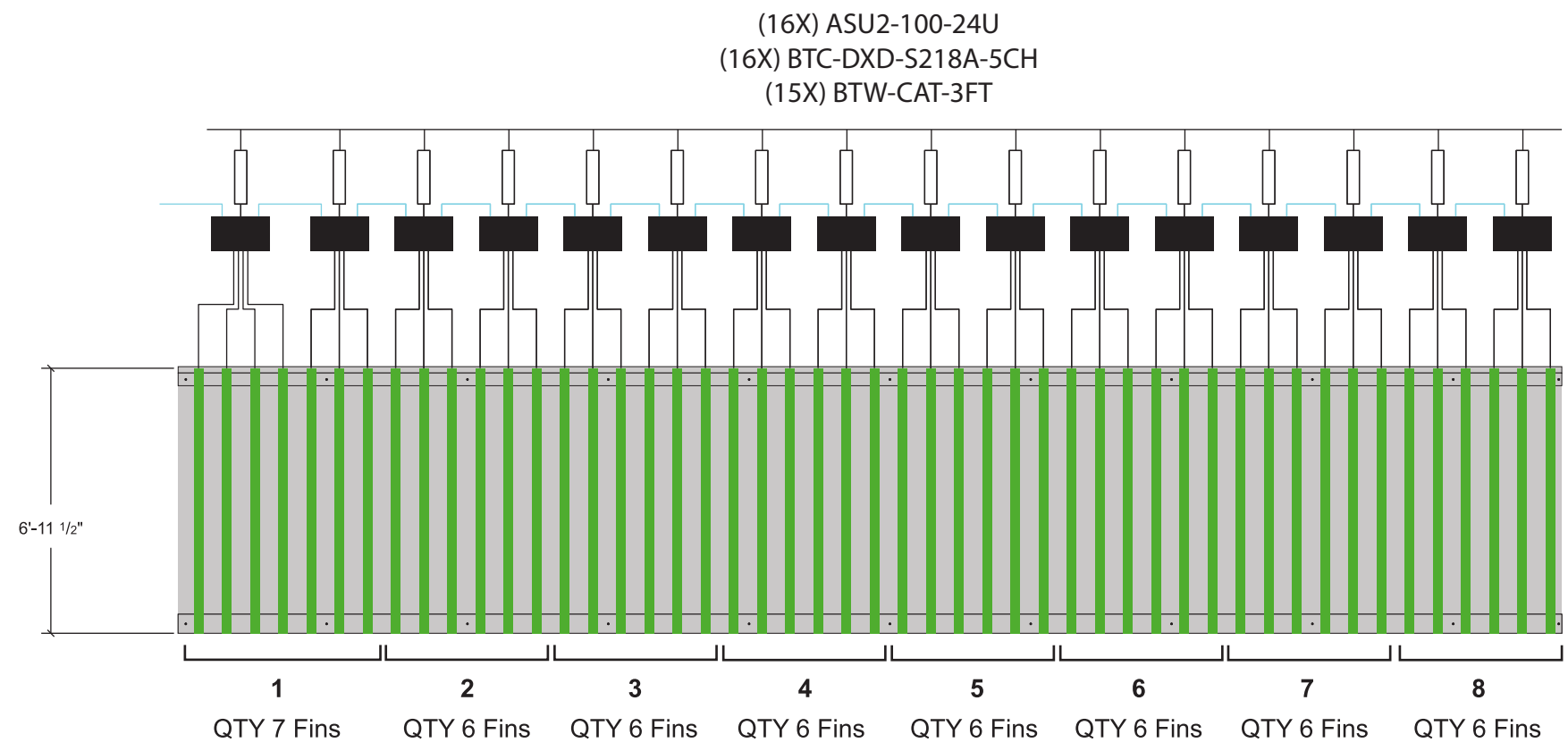
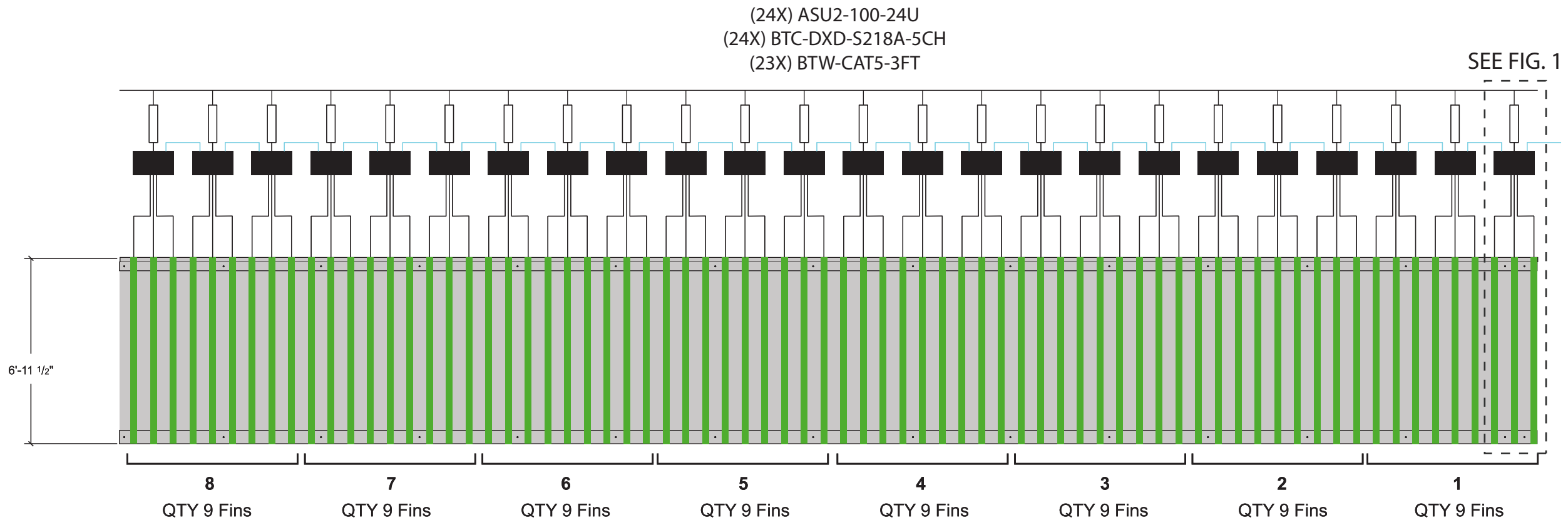


FIG. 1
TYP. WIRING DETAIL (3 FINS)



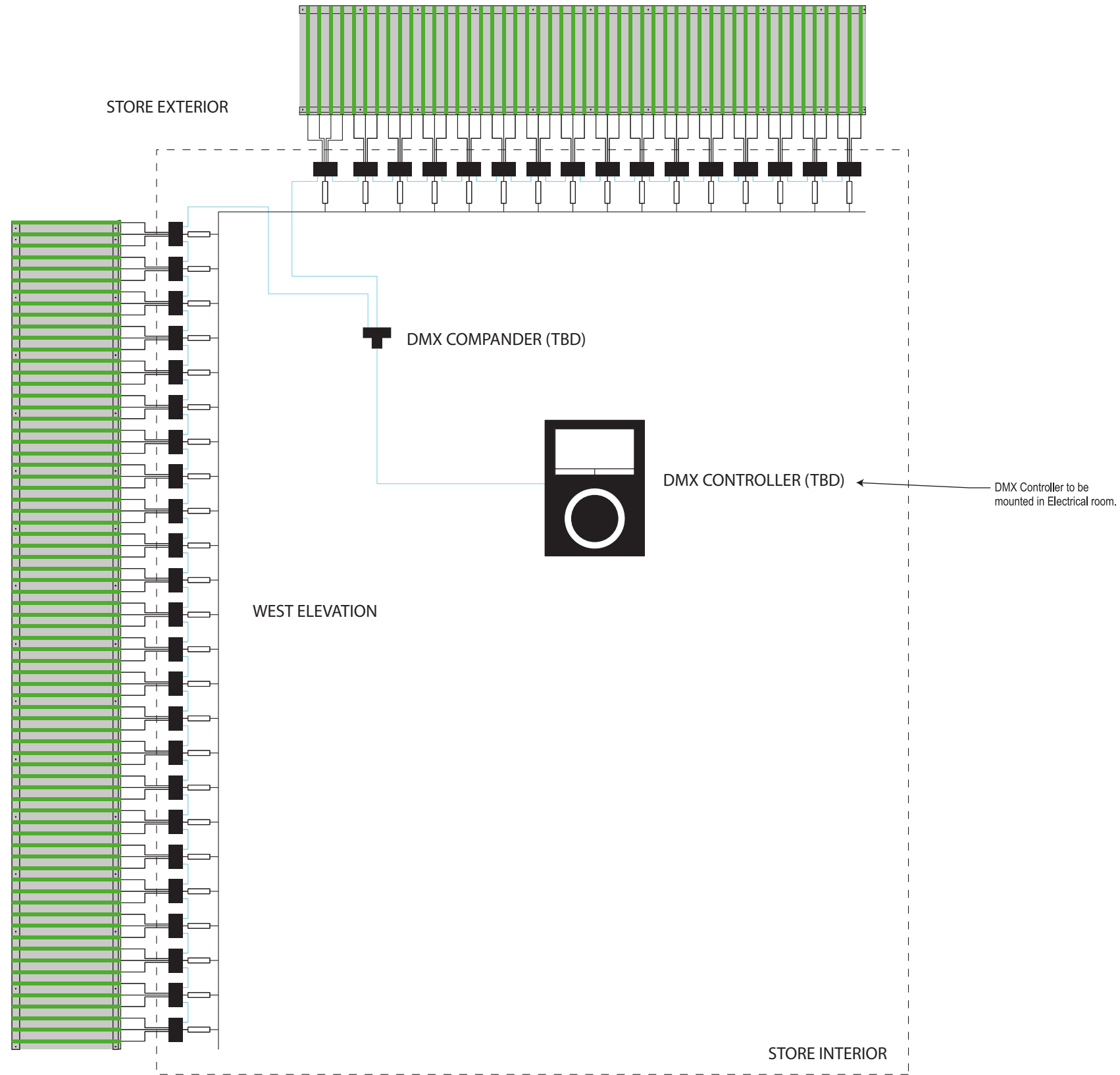
130 PINNACLE POINT CT., SUITE 101
COLUMBIA, SC 29223
PHONE: 803-790-2121
FAX: 803-790-2125
www.imageresourcegroup.com

THIS IS AN UNPUBLISHED DESIGN OFFERED BY IRG, INC.. IT IS SUBMITTED FOR YOUR PERSONAL USE IN CONNECTION WITH THE PROJECT PLANNED FOR YOU BY IRG, INC.. IT IS NOT TO BE SHOWN TO ANYONE OUTSIDE OF YOUR ORGANIZATION NOR IS IT TO BE USED, REPRODUCED, COPIED, OR EXHIBITED IN ANY FASHION WHATSOEVER. ALL OR ANY PART OF THIS DESIGN (EXCEPTING REGISTERED TRADEMARKS) REMAINS THE PROPERTY OF IRG, INC.

CLIENT: **TD Bank**
LOCATION: **350 Lincoln Road, Miami Beach, FL**
DRAFTED BY: **RKN** PROJECT MANAGER: **WHANCE**

REVISIONS:
10-25-23 RKN Added attachment details | 10-26-23 RKN Added existing wall detail.

DRAWING NUMBER: TDB-FINS	
SHEET: 6	OF: 7
DATE: 03-29-23	PAGE: 6



130 PINNACLE POINT CT., SUITE 101
 COLUMBIA, SC 29223
 PHONE: 803-790-2121
 FAX: 803-790-2125
 www.imageresourcegroup.com

THIS IS AN UNPUBLISHED DESIGN OFFERED BY IRG, INC.. IT IS SUBMITTED FOR YOUR PERSONAL USE IN CONNECTION WITH THE PROJECT PLANNED FOR YOU BY IRG, INC.. IT IS NOT TO BE SHOWN TO ANYONE OUTSIDE OF YOUR ORGANIZATION NOR IS IT TO BE USED, REPRODUCED, COPIED, OR EXHIBITED IN ANY FASHION WHATSOEVER. ALL OR ANY PART OF THIS DESIGN (EXCEPTING REGISTERED TRADEMARKS) REMAINS THE PROPERTY OF IRG, INC.

CLIENT:	TD Bank	
LOCATION:	350 Lincoln Road, Miami Beach, FL	
DRAFTED BY:	RKN	PROJECT MANAGER: WHANCE

REVISIONS:	10-25-23 RKN Added attachment details 10-26-23 RKN Added existing wall detail.	
------------	--	--

DRAWING NUMBER:		TDB-FINS	
SHEET:	7	OF:	7
DATE:	03-29-23	PAGE:	7

Existing Wall Sign | LEAVE AS IS

Action:

- Leave existing illuminated wall sign as is.

Code:

Maximum area calculation: 0.75 square feet for every foot of linear frontage, with a minimum of 15 square feet permissible, regardless of linear frontage. Maximum area Max.: 100 square feet

Existing Sign: 22.4 Sq Ft



WEST ELEVATION

...	...
...	...
...	...
...	...
...	...

Existing Wall Sign | LEAVE AS IS

Action:

- Leave existing illuminated wall sign as is.

Code:

Maximum area calculation: 0.75 square feet for every foot of linear frontage, with a minimum of 15 square feet permissible, regardless of linear frontage. Maximum area Max.: 100 square feet

Existing Sign: 22.4 Sq Ft



NORTH ELEVATION

...	...
...	...
...	...
...	...
...	...

Illuminated Cube Sign (4) illuminated sides

Action:

- Manufacture and install (4 sided cube sign)
3 sides to be one piece clear break formed polycarbonate.
One side to be single face with retainer.
- Suspended with center round tube painted MP brushed aluminum.

Engineering drawings required.

Material & Color:

- Logo Vinyl: 3M 3630-5741 Light Green Translucent Vinyl (First Surface)
- Entire face to be laminated with 3M 3660M
- Cabinet : Paint : MP65220 R165605 TD Light Green (Satin Finish)
- Face: 7328 White Acrylic
- Support Pole: Painted MP Brushed Aluminum



Existing Conditions



Proposed

Code:

Maximum area calculation: 0.75 square feet for every foot of linear frontage, with a minimum of 15 square feet permissible, regardless of linear frontage. Maximum area Max.: 100 square feet

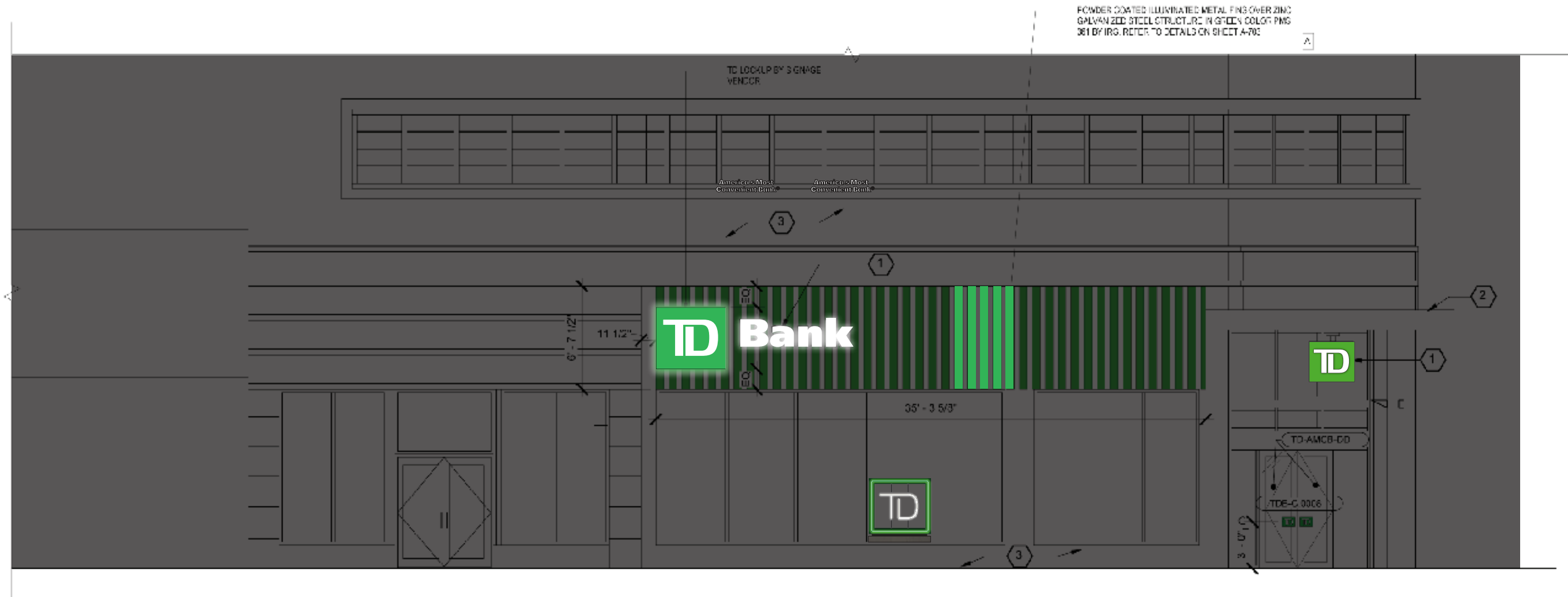
Proposed Sign: 11.2 Sq Ft



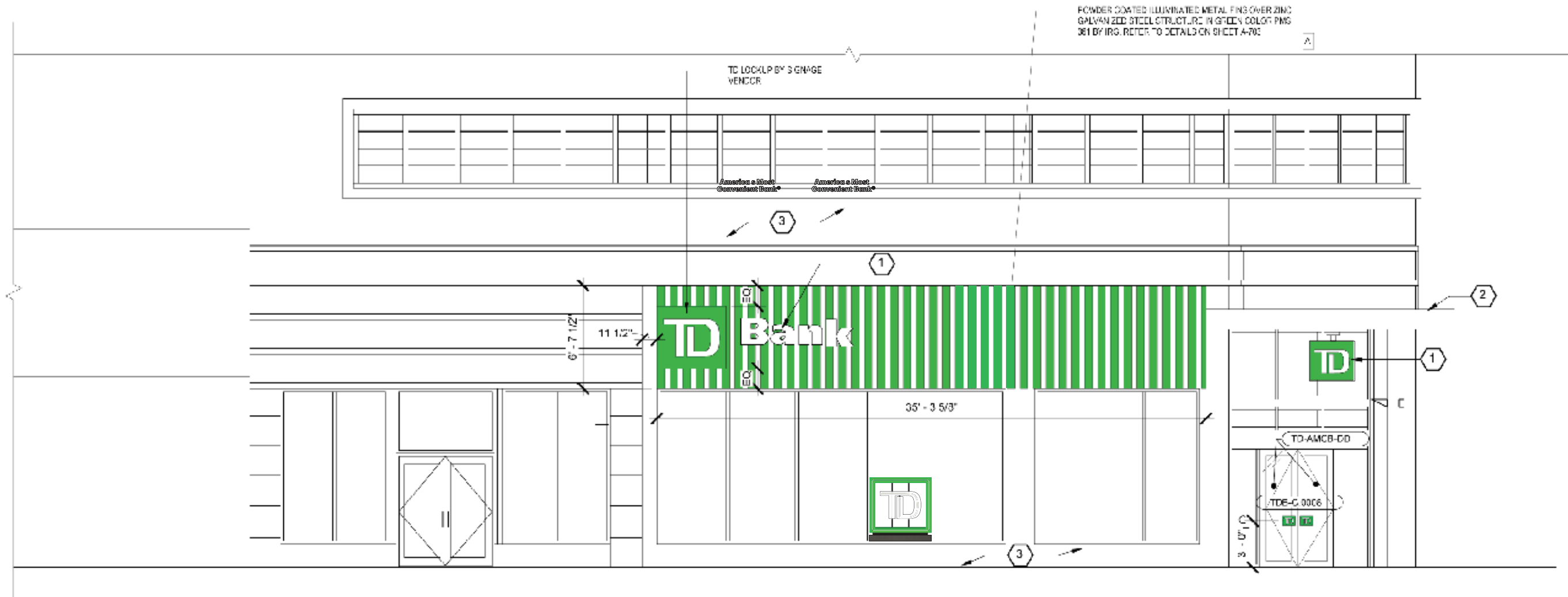
Revisions:	
...	...
...	...
...	...
...	...
...	...

PM: SJP	Address: 350 Lincoln Rd
Drawn By: TLD	City State: Miami Beach, FL
Date: 02.16.2023	Drawing Number: 148100

PRELIMINARY DESIGNS - 48" HYPER SHIELD OPTION C - LED FAUX NEON



PRELIMINARY DESIGNS - 48" HYPER SHIELD OPTION C - **LED FAUX NEON**





PLAN VIEW
SCALE: 3/4" = 1'-0"

**PRELIMINARY
PRINT**

Note: This sign is intended to be installed in accordance with the requirements of Article 600 of the NFPA 2017 National Electrical Code and/or other applicable local codes. This includes proper grounding and bonding of the sign.

STANDARD MONUMENT NOTES:

1. Sufficient Primary Circuit In Vicinity Of Sign By Others.
2. Final Primary Hook-up By Sign Installer, Where Allowed By Local Codes.
3. Sign Shall Be U.L. Listed.
4. Soil Assumed To Be 300 psf/ft Lateral Bearing Pressure (psf/ft below natural grade).
5. Concrete 2,500 PSI @ 28 Days.
6. Reinforcing Steel Shall Be ASTM A615 GR-40.
7. Structural Steel Shall Be ASTM A36.
8. All Welds Shall Conform To A.W.S Standards.

Electrical Load
(1.16) Amps @ 120 Volts
Electrical Req'mts
(1) 20 Amp/120 Volt Circuits



PHILADELPHIASIGN
BRINGING THE WORLD'S BRANDS TO LIFE

707 West Spring Garden Street
Palmyra, New Jersey 08065

Phone: 856.829.1460
Fax: 856.829.8549
www.philadelphiasign.com

CUSTOMER:
TD BANK

JOB NUMBER:
TD_3811

SIGN TYPE:
HYPER SHIELD

LOCATION:
350 LINCOLN ROAD
MIAMI BEACH, FL 33139

DATE:
10/19/23

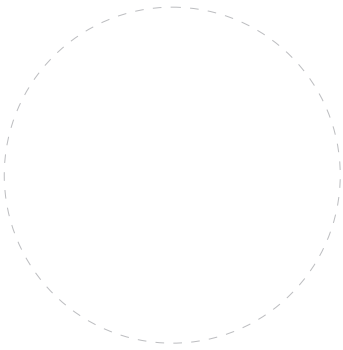
DRAWN BY:
RRR

REVISION:
Number: Date: By:

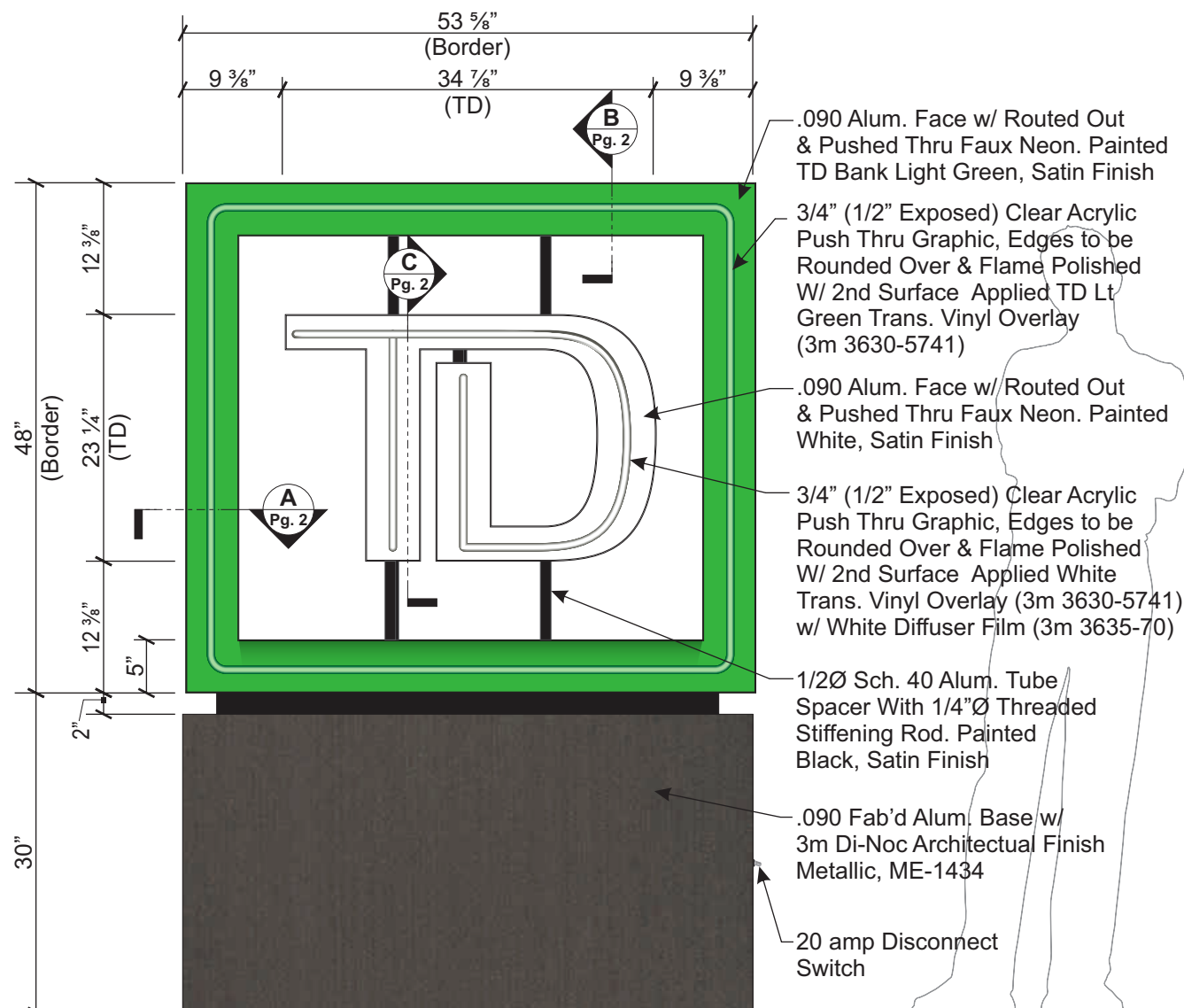
SHEET: ENG DEPT
1 OF 2

DWG NUMBER:
B-106862

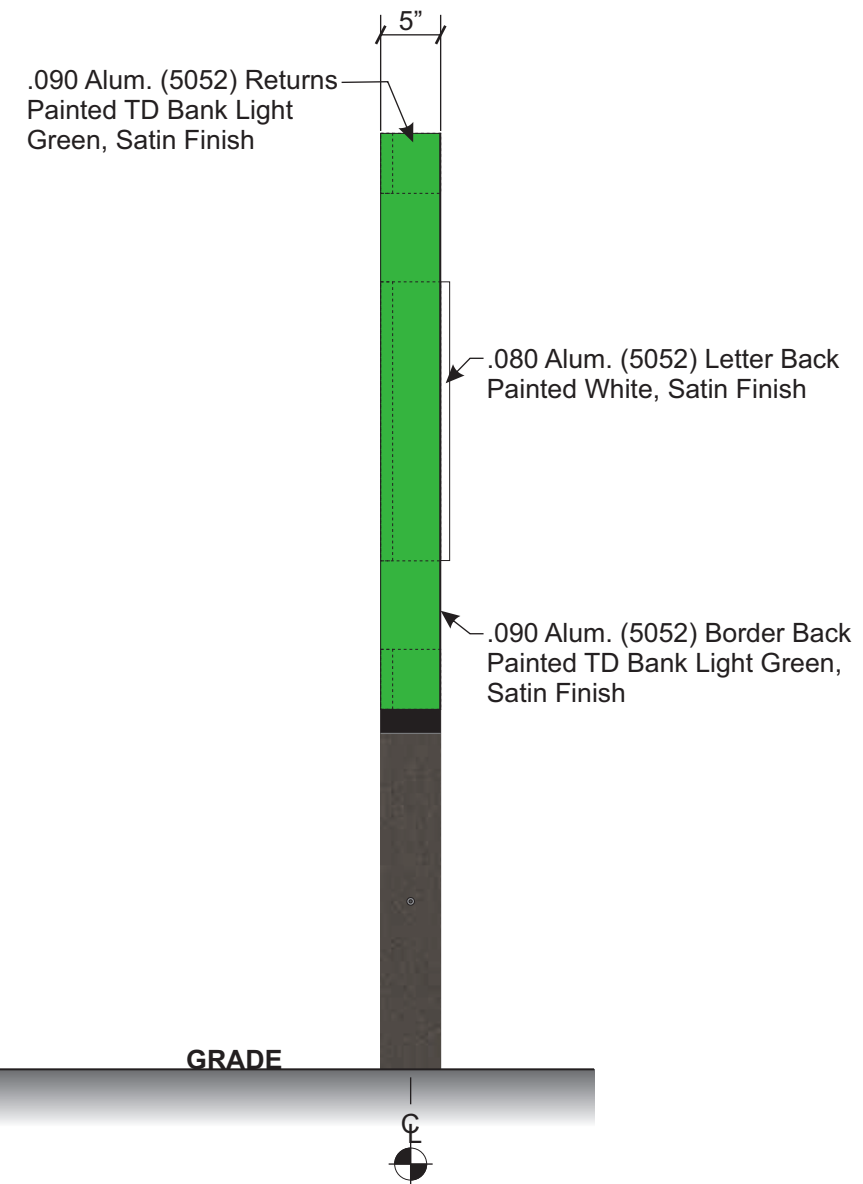
ENGINEER SEAL:



ULTIMATE WIND SPEED 180 MPH
EXPOSURE C

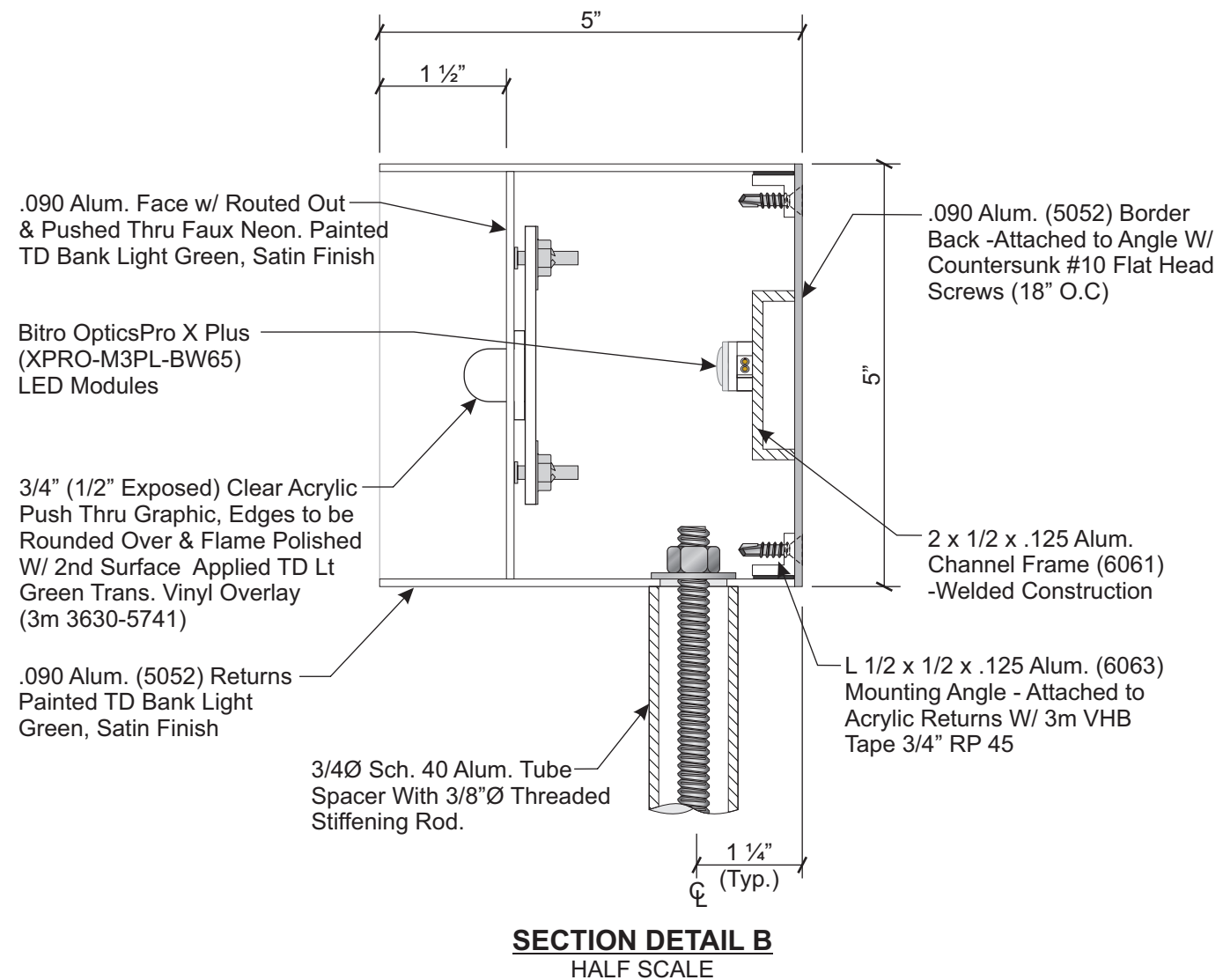
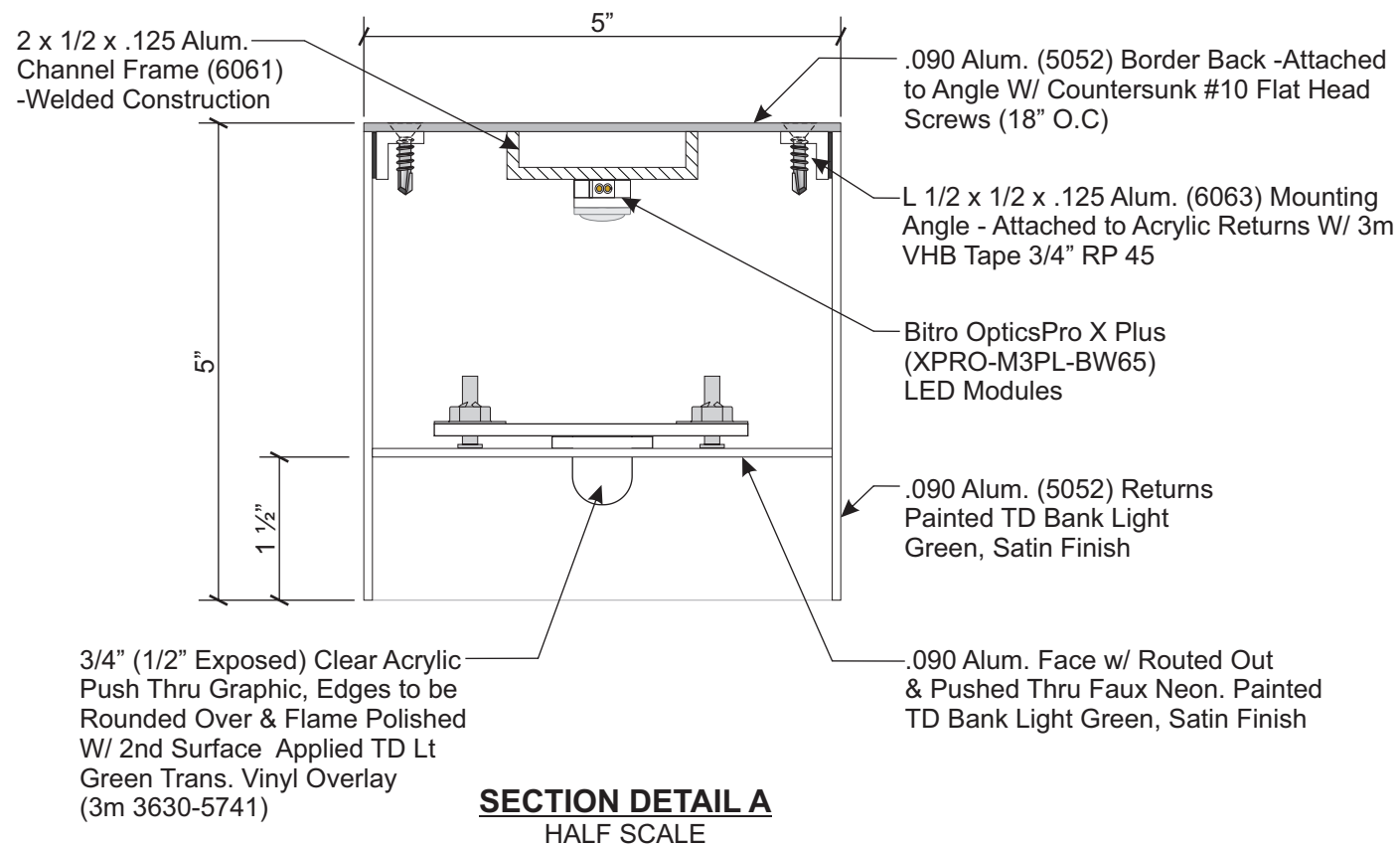


48" CUSTOM HYPER SHIELD W/ BASE
SCALE: 3/4" = 1'-0"

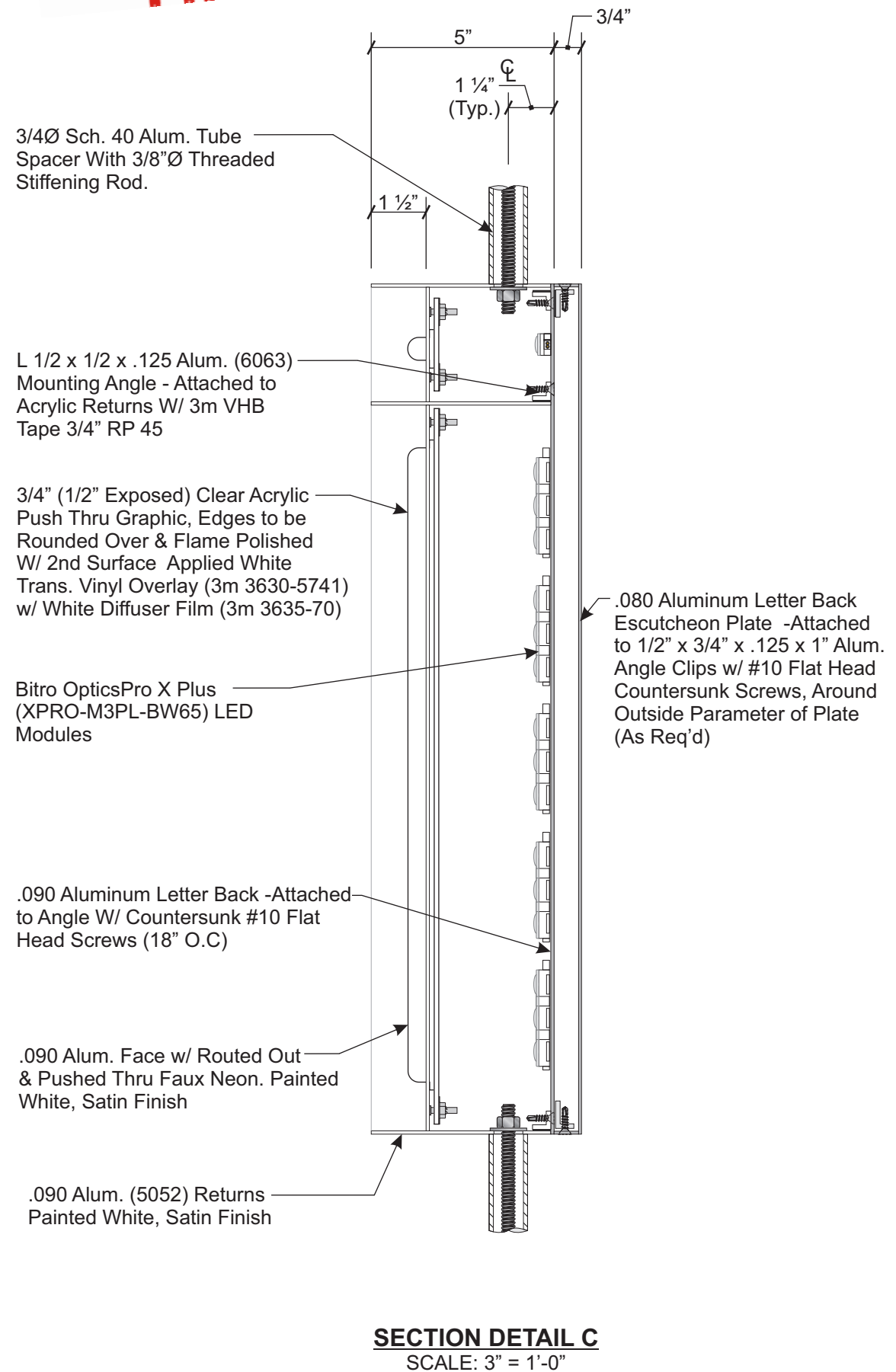


SIDE VIEW
SCALE: 3/4" = 1'-0"

THIS IS AN ORIGINAL UNPUBLISHED DRAWING CREATED BY PSCO. IT IS SUBMITTED FOR YOUR PERSONAL USE IN CONJUNCTION WITH A PROJECT BEING PLANNED FOR YOU BY PSCO. IT IS NOT TO BE SHOWN TO ANYONE OUTSIDE YOUR ORGANIZATION NOR IS IT TO BE USED, COPIED, REPRODUCED, OR EXHIBITED IN ANY FASHION.



PRELIMINARY PRINT



PHILADELPHIASIGN
BRINGING THE WORLD'S BRANDS TO LIFE

707 West Spring Garden Street
Palmyra, New Jersey 08065

Phone: 856.829.1460
Fax: 856.829.8549
www.philadelphiasign.com

CUSTOMER:

TD BANK

JOB NUMBER:

TD_3811

SIGN TYPE:

HYPER SHIELD

LOCATION:

**350 LINCOLN ROAD
MIAMI BEACH, FL 33139**

DATE:

10/19/23

DRAWN BY:

RRR

REVISION:

Number: Date: By:

SHEET:

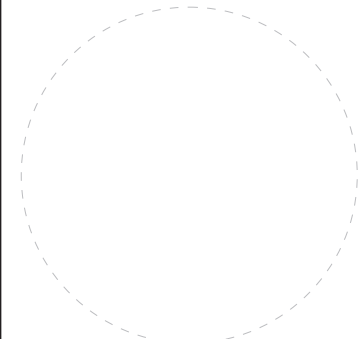
2 OF 2

ENG DEPT

DWG NUMBER:

B-106862

ENGINEER SEAL:



ULTIMATE WIND SPEED 180 MPH
EXPOSURE C

THIS IS AN ORIGINAL UNPUBLISHED DRAWING CREATED BY PSCO. IT IS SUBMITTED FOR YOUR PERSONAL USE IN CONJUNCTION WITH A PROJECT BEING PLANNED FOR YOU BY PSCO. IT IS NOT TO BE SHOWN TO ANYONE OUTSIDE YOUR ORGANIZATION NOR IS IT TO BE USED, COPIED, REPRODUCED, OR EXHIBITED IN ANY FASHION.