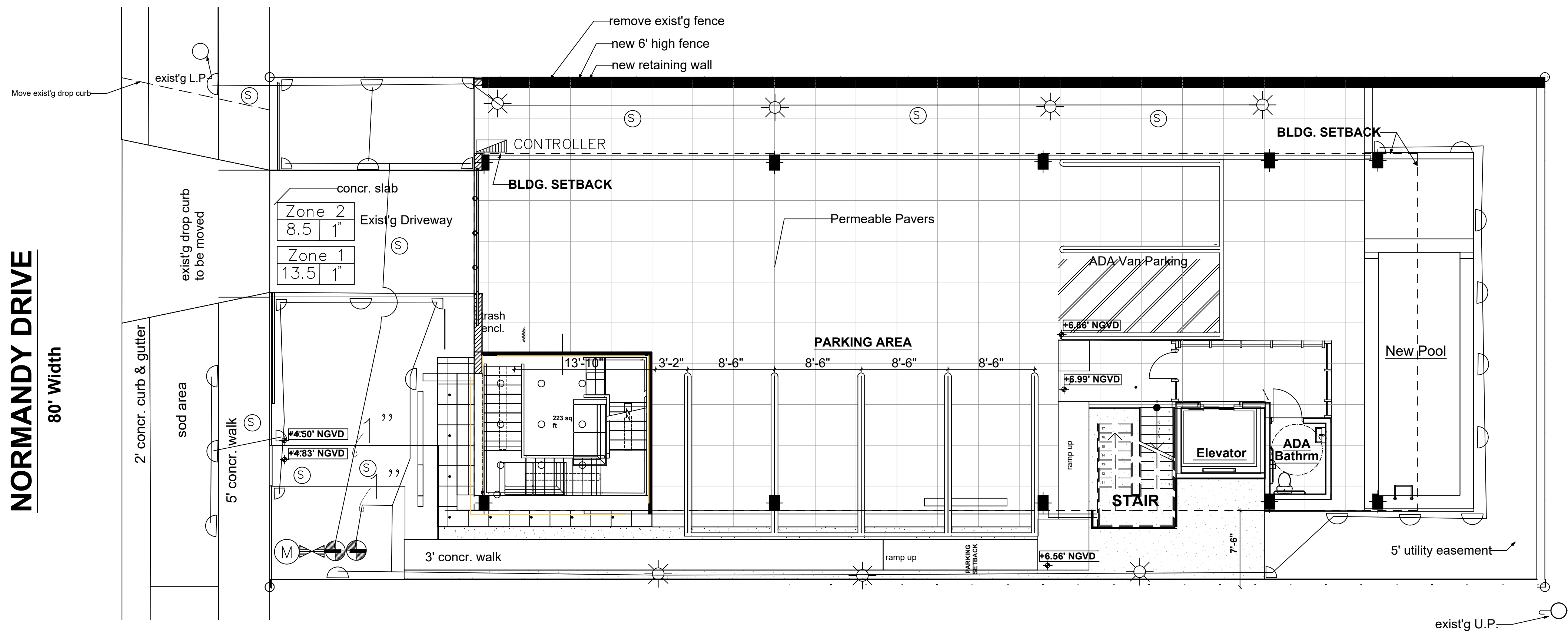
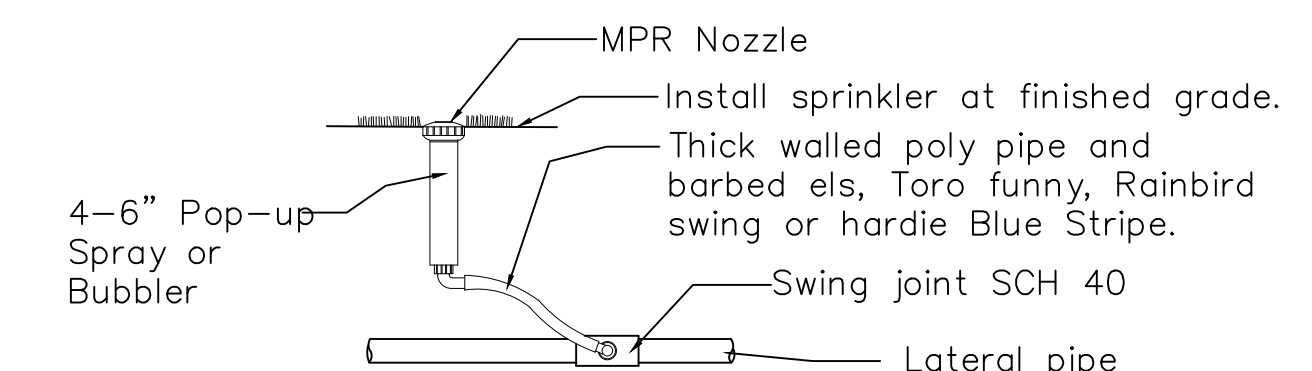
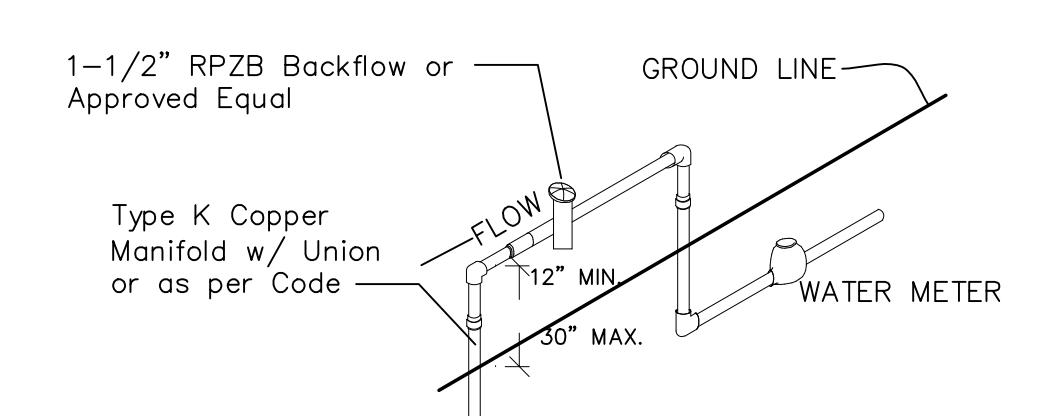
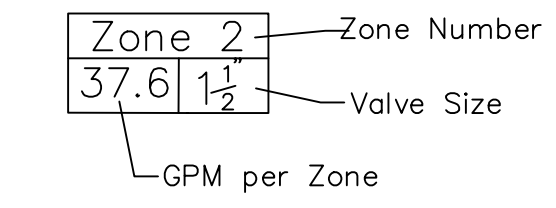


NORMANDY DRIVE
80' Width

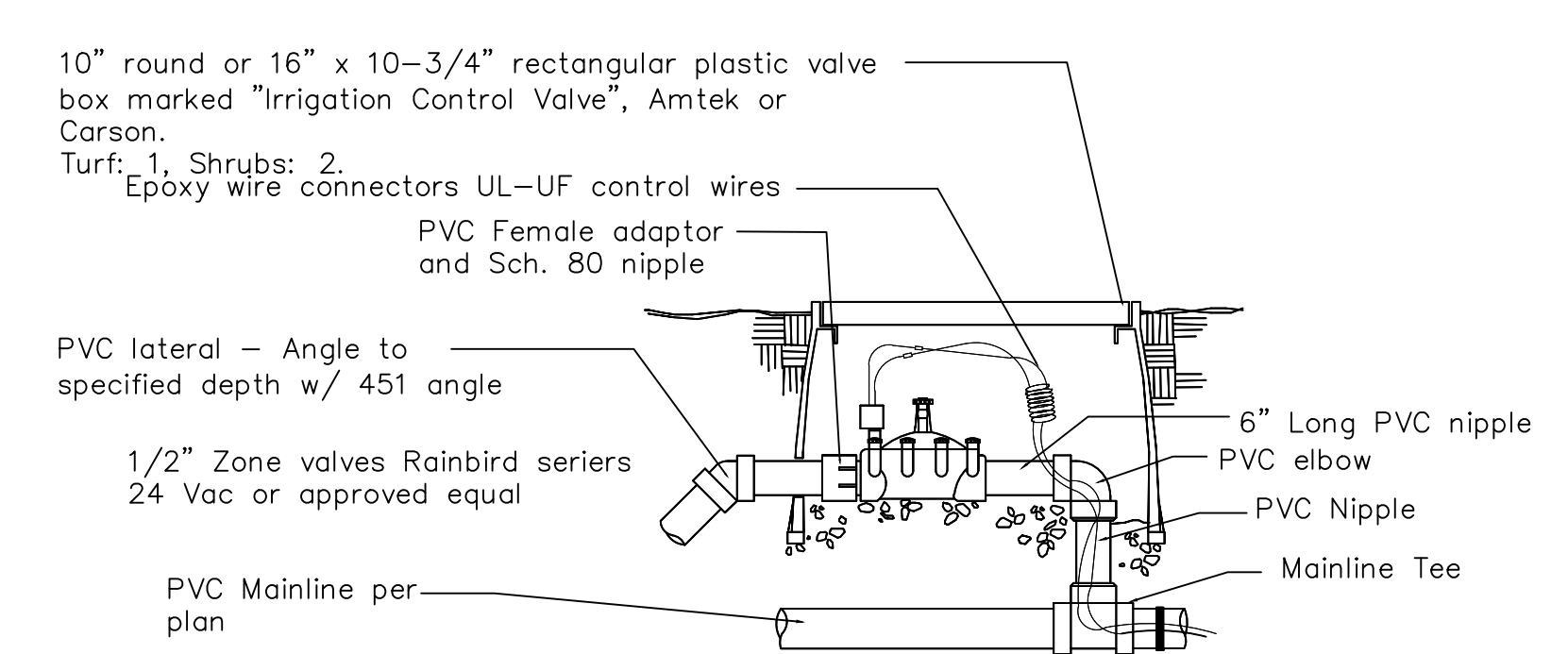


IRRIGATION LEGEND:

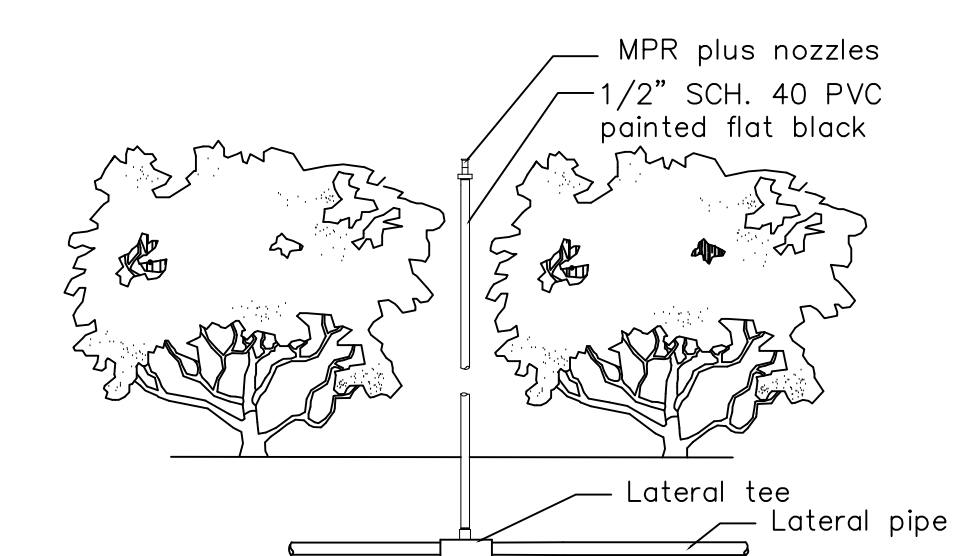
- MAIN LINE - 1 1/4" Feed From City Water Source
 - LATERAL ZONE LINES - SDR PVC as noted
 - ZONE BOUNDARIES
 - ▲ BACK FLDV: See Point of Connection Detail.
 - CONTROLLER - Toro Custom Command Series Electric 4 station controller MCC-P-4 mounted on West facade of structure, with a Rain Check automatic rain sensor shutoff switch mounted outside on eave of structure.
 - ⊕ ZONE VALVES - Toro 252 Series
 - ⊙ WATER METER - 1" or per City Code.
 - ⊙ SLEEVES - Sch. 40, 2 Sizes Larger. NOTE - Pipe Size Shown is the Lateral Size, NOT the Sleeve Size
 - 6" POP-UP SPRAY - Toro 570 Series MPR Spray Nozzles as Required. NOTE - All of the below may not be used
 - 15' Series - 12' Series - 10' Series - 8' Series -
 - 15-Q-PC - 1/4"
 - 15-T-PC - 1/3"
 - 15-H-PC - 1/2"
 - 15-TT-PC - 2/3"
 - 15-TQ-PC - 3/4"
 - 15-F-PC - Full
 - 12-Q-PC - 1/4"
 - 12-T-PC - 1/3"
 - 12-H-PC - 1/2"
 - 12-TT-PC - 2/3"
 - 12-TQ-PC - 3/4"
 - 12-F-PC - Full
 - 10-Q-PC - 1/4"
 - 10-T-PC - 1/3"
 - 10-H-PC - 1/2"
 - 10-TT-PC - 2/3"
 - 10-TQ-PC - 3/4"
 - 10-F-PC - Full
 - 8-Q-PC - 1/4"
 - 8-T-PC - 1/3"
 - 8-H-PC - 1/2"
 - 8-TT-PC - 2/3"
 - 8-TQ-PC - 3/4"
 - 8-F-PC - Full
 - 4S-SST-PC 4 x 18"
 - 4-EST-PC 4 x 15"
 - 4-CST-PC 4 x 30"
 - 6" POP-UP FLOOD BUBBLER - Toro 570 Series MPR Pressure Compensating Nozzles as Required.
- SYSTEM DESIGN OPERATING PRESSURE = Between 35 and 40 psi.



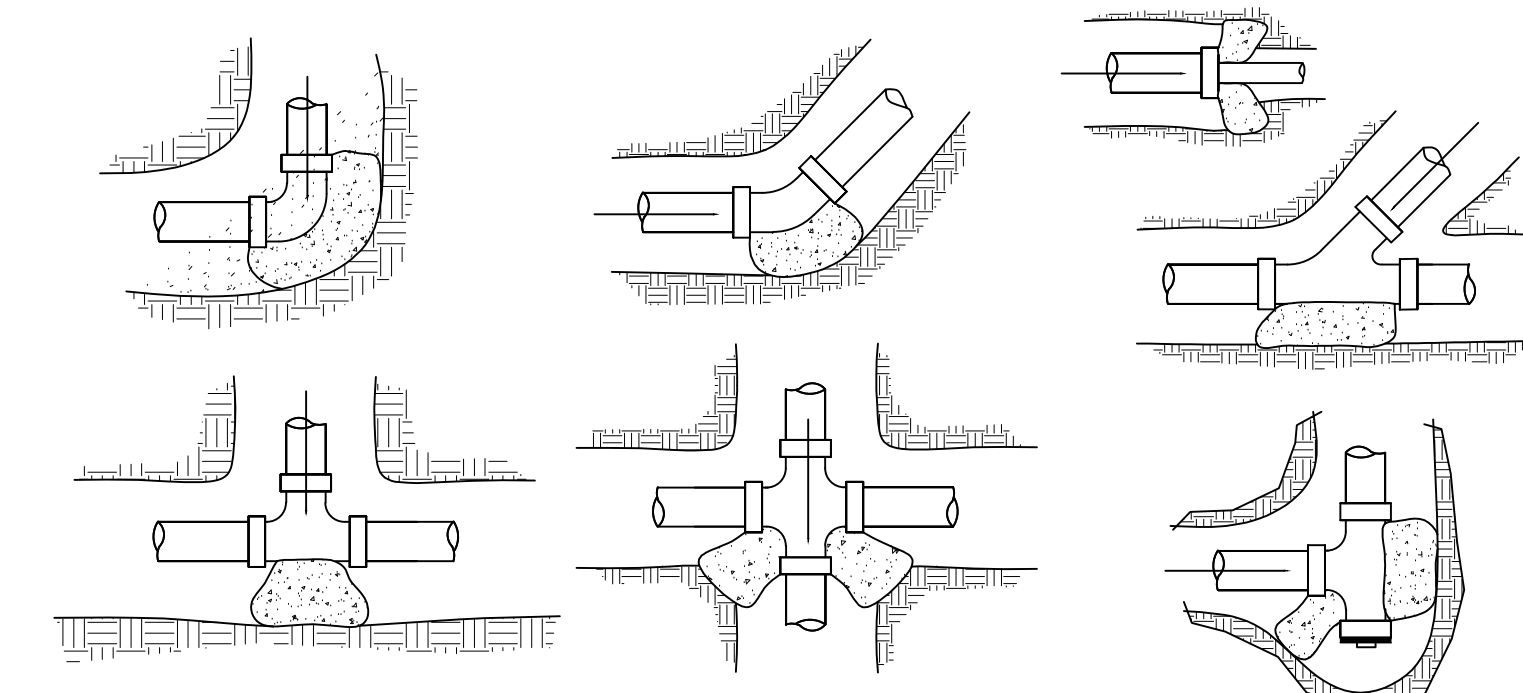
4 or 6" Pop-up Spray / Bubbler Detail



Zone Valve Detail



Shrub Riser Spray Detail



Main Line Thrust Blocks

IRRIGATION NOTES:

- Piping:
 - Main Lines: PVC SDR 26, Class 160 Solvent Weld.
 - Zone Lines: PVC, 1/2 in. and 3/4 in. are not used. Min. pipe is 1 in. 315 PSI: 1 in. = SDR 21. 200 PSI: 1-1/4 in. and greater = SDR 26, 160 PSI. All solvent weld.
 - All end of the line unmarked pipe = 1 in. (min.).
 - Sleeves and suction Line: PVC, SCH 40.
 - Fittings: SCH 40 PVC
 - Fabrication: To manufacturers specifications. Use blue or grey PVC cement, square cut, clean and prime all joints.
 - Allow all main lines to cure for 24 hours before pressuring.
 - All pipe, fittings, and solvents to conform to latest ASTM specs.
 - Depth of Lines: Main Line and wiring = 18 in. depth, min. Sweeping under pavement = 24 in. depth, min. Suction Line = 24 in. depth, nominal. Zone Lines 1-1/2 in. and smaller = 10 in. depth, min.
 - Control Wires: AWC 14 for all hot wires and AWC 12 for common. Solid copper type UF UL listed for direct burial. Run wires under main and tape every 20 feet. Run spares, two min. Splice wires only in a valve box. All splices shall be moisture proof using Snap tile or DEY UL connectors. Common shall be white, hot shall be red or color coded. Spare shall be black. Run in conduit where no Main line runs.
- Backfill all trenches free of debris, compact to original density, flush all lines, use screens in all heads, adjust heads for proper coverage avoiding excess water on walls, walks, etc.
- All details are graphically shown only. All quantities shall be verified by the contractor prior to installation. It shall be the contractors responsibility to ensure complete overlapping coverage. Any discrepancies shall be reported to the owner and landscape architect before proceeding. Codes and local regulations shall take precedence over these plans, it is the contractors responsibility to comply. The landscape architect reserves the right to make minor field changes, the contractor may field adjust spray nozzle selection to provide for proper 100% min. coverage.
- Provide owner with an accurate as installed plan(s) at completion showing main lines, wiring, valves, crossings, etc. using dimensions from fixed datum.
- Contractor shall verify all underground utilities prior to commencement of work.
- The perimeter irrigation and landscape may be required to be installed prior to either or both pump stations and all main line / valve wiring. A separate plan showing modifications and alternate water source will be provided prior to construction. The modifications will not impact upon the design intent or substantially affect the construction plan.

TONNING & ASSOCIATES, INC.
Landscape Architecture & Land Planning

Landscape Architect - Florida License #6666709
4855 NW 92 Terrace Coral Springs, Florida 33067
Tel: 951-414-8269 Email: wtonning@tonningandassociates.com

IRRIGATION PLAN

DRWG. TITLE :

PROJECT :

1915 NORMANDY DRIVE
MIAMI BEACH, FLORIDA

CLIENT :

NORMANDY LOFTS
ECO-URBAN DESIGNS

SEAL

PROJECT NO. 23-121

DRAWN BY WKT

DESIGNED BY WKT

CHECKED BY WKT

DATE : 05-20-23

DWG. NO. LI-1

SHT. NO. 1 of 1

REVISIONS :

WAYNE K. TONNING, R.L.A.
R.L.A. #6666709